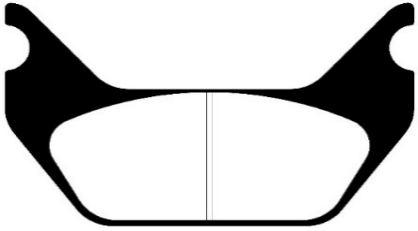
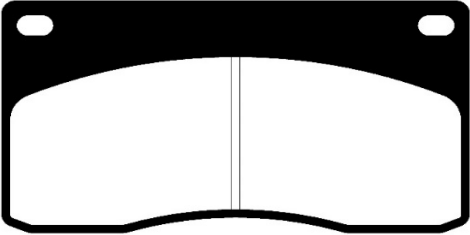
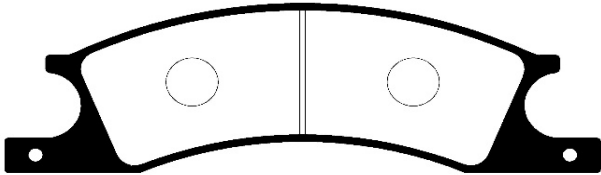
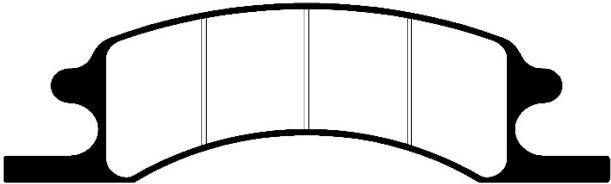


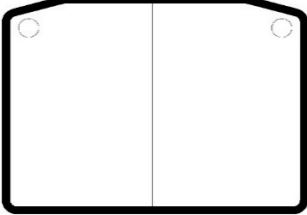
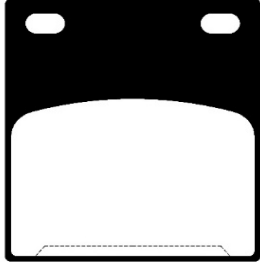
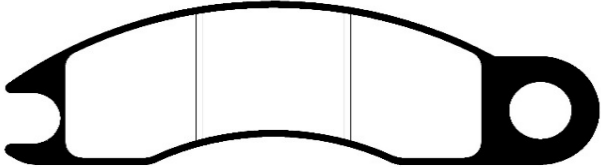
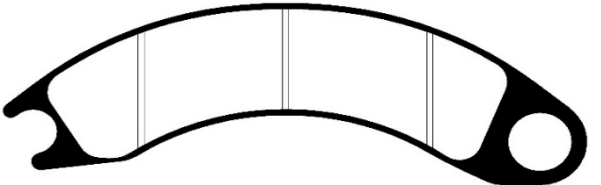
CRANE/FORKLIFT

DISC BRAKE PAD

<p>001FL</p>	<p>Z-15.5mm</p>		<p>302 MP1005</p>	<p>Z-20.8mm</p>	
 <p>X-139.5 Y-82.5 , Z-15.5mm NOT IN SCALE</p>			 <p>X-164.9 Y-89.0 , Z-20.8mm NOT IN SCALE</p>		
<p>CLARK FORKLIFT 7005798</p>			<p>KAWASAKI W70,KLD 70,80,80Z,82,85 KIMCO JH63,65C,65CV,65CH,80B,80C KOBE 645,745,LK700 KOMATSU-W70,90,SD-50-P5 TCM-75-3A,75B,SRD 30,50B,125B,175B</p>		
<p>303</p>	<p>Z-22.0mm</p>		<p>304 MP1002</p>	<p>Z-22.0mm</p>	
 <p>X-318.4 Y-98.0 , Z-22.0mm NOT IN SCALE</p>			 <p>X-293.5 Y-94.6 , Z-22.0mm NOT IN SCALE</p>		
<p>KAWASAKI L828 KOBELCO LK700</p>			<p>FURUKAWA FL320 KOBE LK700</p>		

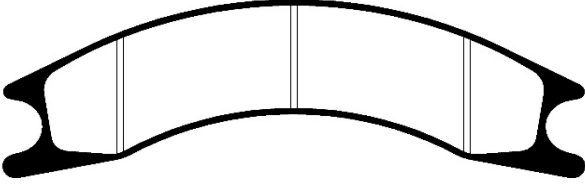
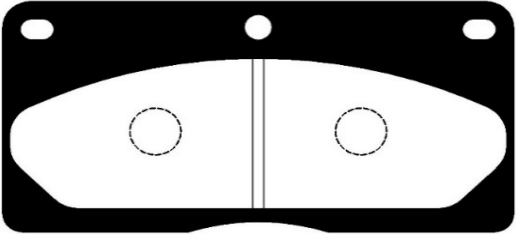
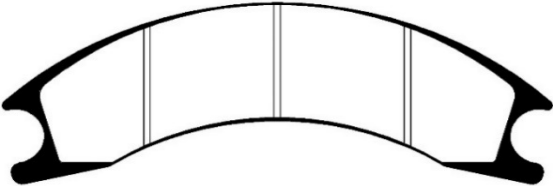
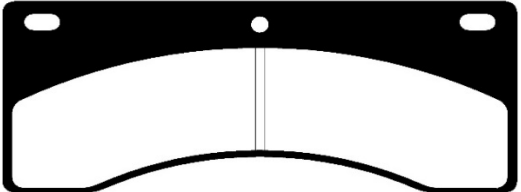
CRANE/FORKLIFT

DISC BRAKE PAD

<p>350</p>	<p>Z-15.0mm</p>		<p>400 MP1006</p>	<p>Z-23.0mm</p>	
			 <p>X-90.0 Y-102 , Z-23.0mm NOT IN SCALE</p>		
<p>AVELING BADFORD CHASESIDE WEATHEHILL</p>			<p>KAWASAKI KLD 6,7,8 KIMCO JH63,65 KOBE 545 TCM 75-3A</p>		
<p>1000C</p>	<p>FRONT Z-22.0mm</p>		<p>1001C</p>	<p>REAR Z-22.0mm</p>	
 <p>LEFT/RIGHT PAD X-325.1 Y-101.8 , Z-22.0mm NOT IN SCALE</p>			 <p>LEFT/RIGHT PAD X-380 Y-130.0 , Z-22.0mm NOT IN SCALE</p>		
<p>TADANO TR250M-4,TR250M-5,TR250M-6-4PC GR250N-7,GR300M-4PC TR350M KOBELCO RK-160-2,RK250.RK350-2-2PC KOMATSU LW250-3,LW250-5-4PC L003(E/G 6D125)</p>			<p>TADANO TR250M-4,TR250M-5,TR250M-6-4PC GR250N-7,GR300M-4PC TR350M-3 KOBELCO RK250.RK350-2-2PC KOMATSU LW250-3,LW250-5-4PC L003(E/G 6D125)</p>		

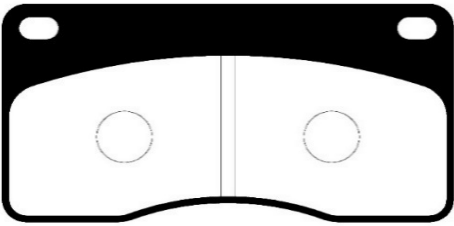
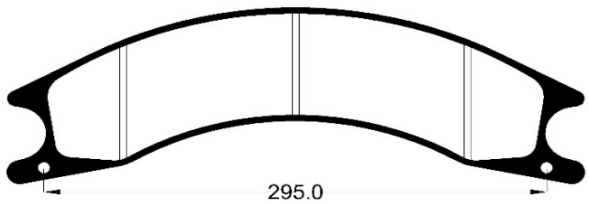
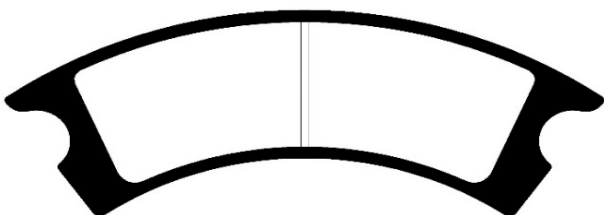
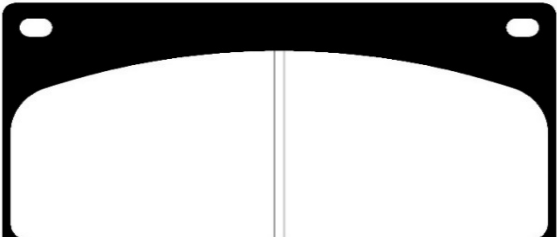
CRANE/FORKLIFT

DISC BRAKE PAD

<p>1003C</p>	<p>FRONT/REAR Z-22.0mm</p>		<p>1004C</p>	<p>FRONT/REAR Z-22.0mm</p>	
 <p>X-362.0 Y- , Z-22.0mm NOT IN SCALE</p>			 <p>X-180 Y-91.0 , Z-22.0mm NOT IN SCALE</p>		
<p>TADANO TR500M-1,TR500M-2,TR500M-3 F/R KATO MR220 FRONT/REAR SS500SP,SS500SPV,SS350,KR45H3 SS500SPV,SS500S,SS500SLTD SS500VX FRONT & REAR</p>			<p>TADANO TR80W-1,TR100M-1 FRONT/REAR KOBELCO RK70M,SK100W FRONT/REAR KOMATSU PW60,PW100,PW150,PW200,LW80M F/R</p>		
<p>1005C</p>	<p>FRONT/REAR Z-22.0mm</p>		<p>1006FL</p>	<p>FRONT Z-22.0mm</p>	
 <p>X-340.0 Y- , Z-22.0mm NOT IN SCALE</p>			 <p>X-225 Y-91.0 , Z-22.0mm NOT IN SCALE</p>		
<p>TADANO TR350M FRONT/REAR KATO KR25H3L2,KR30H3,KR35H3 F/R SR50,SR250LTD,SR250SP F/R SR250SPV F/R</p>			<p>TCM S526 II 125B,175B KIMCO JH90,90EH KOMATSU W170,560</p>		

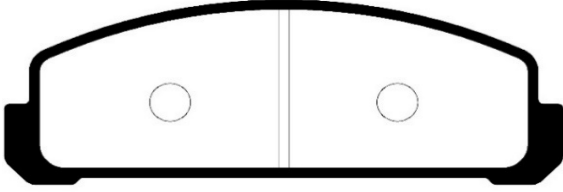
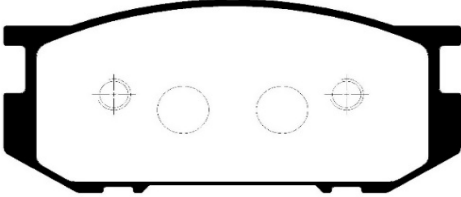
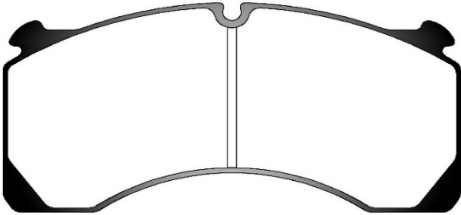
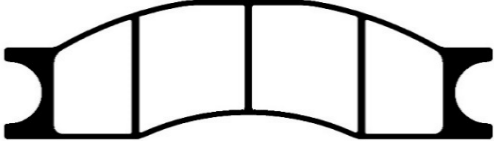
CRANE/FORKLIFT

DISC BRAKE PAD

<p>1007FL</p>	<p>REAR Z-20.0mm</p>		<p>1008C</p>	<p>FRONT/REAR Z-22.0mm</p>	
 <p>X-130 Y-68.0 , Z-20.0mm NOT IN SCALE</p>			 <p>X-295.0 Y- , Z-22.0mm NOT IN SCALE</p>		
<p>TCM S526 II</p>			<p>mitsubishi VCS4033,VCS4133 F/R</p>		
<p>1009HT</p>	<p>Z-22.5mm</p>		<p>1010C</p>	<p>Z-22.5mm</p>	
 <p>X-280.0 Y-78.0 , Z-22.5mm NOT IN SCALE</p>			 <p>X-215.0 Y-109.0 , Z-22.5mm NOT IN SCALE</p>		
<p>CHINA WHEEL LOADER LW300F,CLG856 LIUGONG 35C0025</p>			<p>CHINA WHEEL LOADER LG936,LG956</p>		

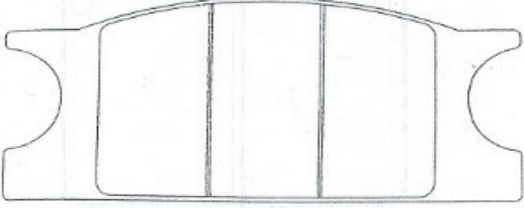
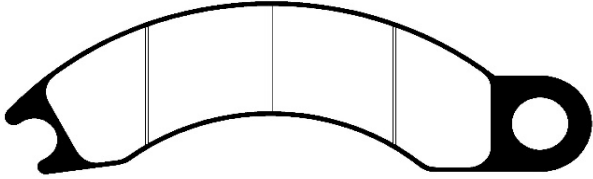
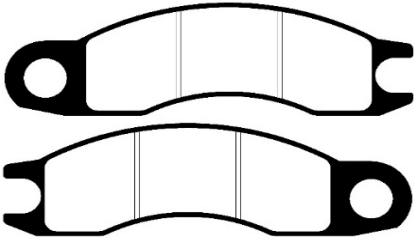
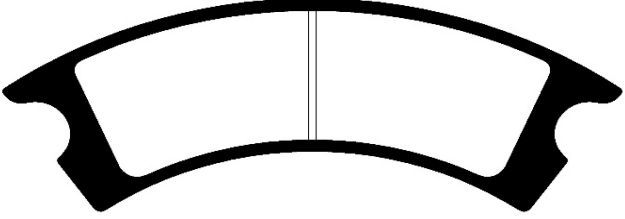
CRANE/FORKLIFT

DISC BRAKE PAD

<p>2000FL</p>	<p>Z-12.0mm</p>		<p>2015FL</p>	<p>Z-14.0mm</p>	
 <p>X-108.9 Y-39.0 , Z-12.0mm NOT IN SCALE</p>			 <p>X-106.8 Y-49.0 , Z-14.0mm NOT IN SCALE</p>		
<p>TOYOTA FORKLIFT 47113-12190-71</p>			<p>TOYOTA FORKLIFT</p>		
<p>29124</p>	<p>Z-27.0mm</p>		<p>2V9135</p>	<p>Z-21.5mm</p>	
 <p>OTR186 X-205.4 Y-102.2 , Z-27.0mm NOT IN SCALE</p>			 <p>MP-1001 X-277.0 Y-85.4 , Z-21.5mm NOT IN SCALE</p>		
<p>MENTOR/ROR DX195 19.5"</p>			<p>CATERPILLAR 950,930 CLARK MICHIGAN 45B,50B,75B,125B,175B FURUKAWA-FL230 IH500-PYLOADER/RUBBER TYPE LOADER VOLVO-BM4400 (6630374) FAUN -TIP DUMPER</p>		

CRANE/FORKLIFT

DISC BRAKE PAD

<p>3V5465</p>	<p>Z-21.5mm</p>		<p>4V7061/ 4V7062</p>	<p>Z-27.0mm</p>	
 <p>X-176.6 Y-72.3 , Z-21.5mm NOT IN SCALE</p>			 <p>LEFT/RIGHT PAD</p> <p>X-397.5 Y-123.9 , Z-27.0mm NOT IN SCALE</p>		
<p>CATERPILLAR 920,910 CLARK MICHIGAN 45B KAWASAKI</p> <p>KSS 65</p>			<p>DUMP TRUCK-CARRIER 769,799,9C-0566,9C0567 950 (SERIES NO 43J) 936 WHEEL LOADER 528 SKIDDER 613 SCRAPER</p>		
<p>4V8416/ 4V8417</p>	<p>Z-27.0mm</p>		<p>KST001</p>	<p>Z-15.0mm</p>	
 <p>MP1016/1017 X-325.1 Y-101.6 , Z-27.0mm NOT IN SCALE</p>			 <p>X-213.0 Y-77.0 , Z-15.0mm NOT IN SCALE</p>		
<p>DUMP TRUCK-CARRIER 769,779 916 WHEEL LOADER 920 WHEEL LOADER 926 WHEEL LOADER 930 WHEEL LOADER</p>					