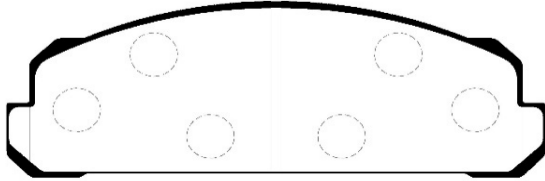
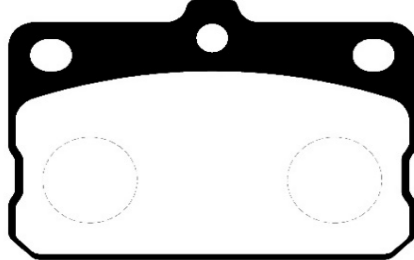
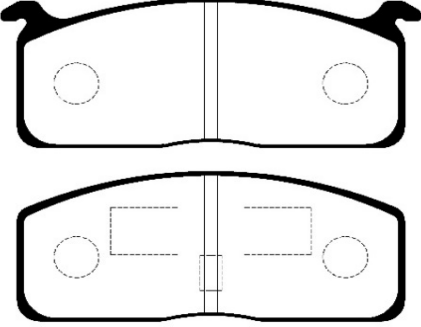
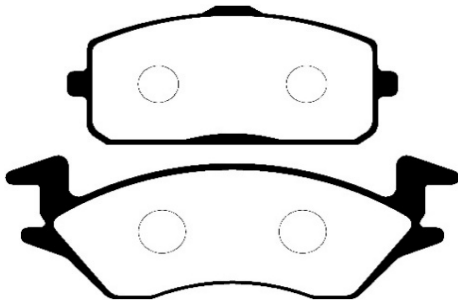


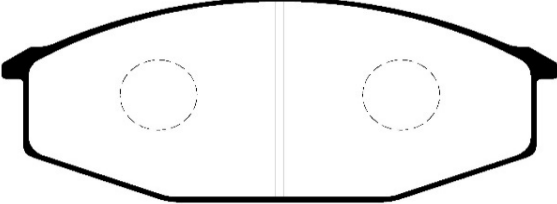
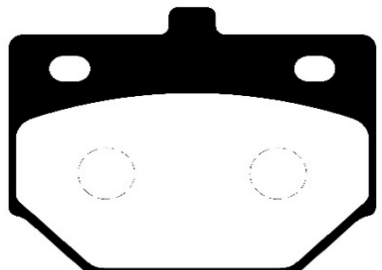
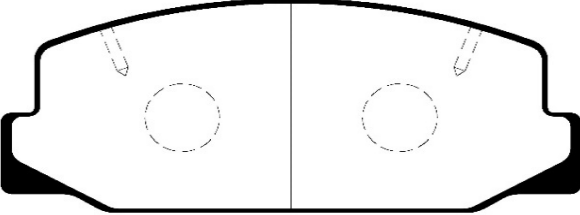
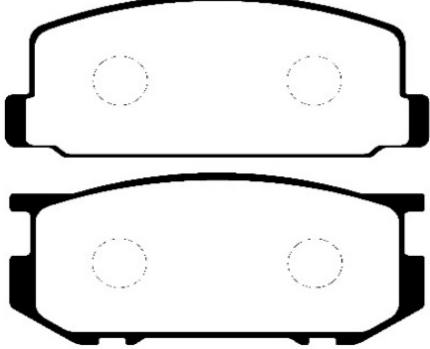
TOYOTA

DISC BRAKE PAD

<p>2000 11K</p>	<p>FRONT Z-14.0mm</p>	<p>37</p>	<p>2006 23K</p>	<p>FRONT Z-14.5mm</p>	<p>87 4617</p>
 <p>GDB 123 WVA 20231,20449,20654 X-108.9 ,Y-39 , Z-14.0 NOT IN SCALE</p>			 <p>GDB 138 WVA 20302 X-78.8 ,Y-55.5 , Z-14.5 NOT IN SCALE</p>		
<p>COROLLA 1000 KE10,11 66-70 1200-KE20,25</p>		<p>K2237M K2203</p>	<p>COROLLA KE30,35,50 1975-78</p>		<p>K2203</p>
<p>2007 49K</p>	<p>FRONT Z-15.0mm</p>	<p>186 2635</p>	<p>2009 74AK</p>	<p>FRONT Z-13.5mm</p>	<p>193 2736</p>
 <p>GDB 233 WVA 20729,20730 X-120.5 ,Y-51.2, Z-15.0 X-132.5 ,Y-51.5 , Z-15.0 NOT IN SCALE</p>			 <p>PN 1134 DB193 GDB 234 WVA 20605,20606 X-97.5 ,Y-44.8, Z-13.5 X-132.0 ,Y-47.0 , Z-13.5 NOT IN SCALE</p>		
<p>HIACE 1600-RH23,33,LH20,30,RH11 HILUX 1600-RN35,RN45 81-88</p>		<p>K2259</p>	<p>STARLET 1000-1500 NP70,76 84-89 1300-K961 78-84 1300-KP61 VAN 82-84 TERCEL/CORSA 1300-AL1,112 1979-</p>		<p>K2290 K2254</p>

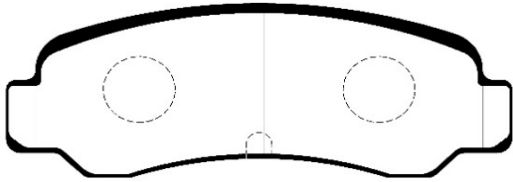
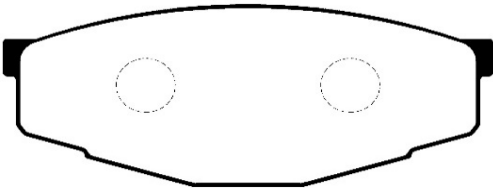
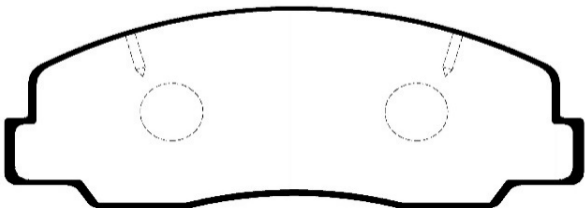
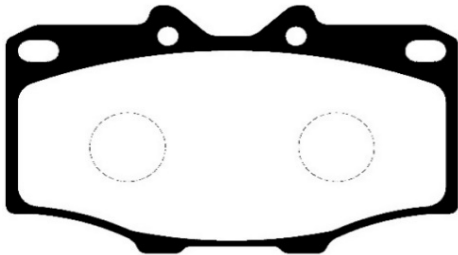
TOYOTA

DISC BRAKE PAD

<p>2011 77K</p>	<p>FRONT Z-15.0mm</p>	<p>215 2737</p>	<p>2012 70K</p>	<p>FRONT Z-13.5mm</p>	<p>159</p>
 <p>DB215 PN-1052-2 FMSI D166 GDB190 X-130.0 , Y-51.0 , Z-15.0 NOT IN SCALE</p>		 <p>PN-1032 GDB 187 DB159 WVA 20560 X-77.7 , Y-62.5 , Z-13.5 NOT IN SCALE</p>			
<p>CROWN 2000-MS100,101,105 78-80 2000-MS110,112,LS110 79-83 2000-GS120 1983-87 2400-LS120,126 1983-</p>		<p>K2252 K2252 K2252 K2252</p>	<p>COROLLA KP30,36 DAIHATSU G10</p>		<p>K2203</p>
<p>2014 72K</p>	<p>FRONT Z-14.0mm</p>	<p>216</p>	<p>2015 80K</p>	<p>FRONT Z-14.0mm</p>	<p>226 2767</p>
 <p>GDB 179 WVA 20599 PN-1056 X-108.9 , Y-44.1 , Z-14.0 DB216 NOT IN SCALE</p>		 <p>GDB 181 DB226 WVA 21013,21015 PN-1067 X-109.2 , Y-46.4 , Z-14.0 GDB954 X-106.8 , Y-49.0 , Z-14.0 GDB799 NOT IN SCALE</p>			
<p>CARINA 1500-TA1#,TA12 71-75 CELICA 1.6,1.8 TA20,35 70-77 CORONA 1.5 RT8,TT132 70-73</p>		<p>K2232 K2232</p>	<p>COROLLA 1.3-KE70 1979-73 1.6-TE71-DX,GL 1979-83 1.8-CE71V,72V 82-87 COROLLA/LEVIN/CERES 1.5-AE85 1983-87</p>		<p>K2203 K2203 K2203</p>

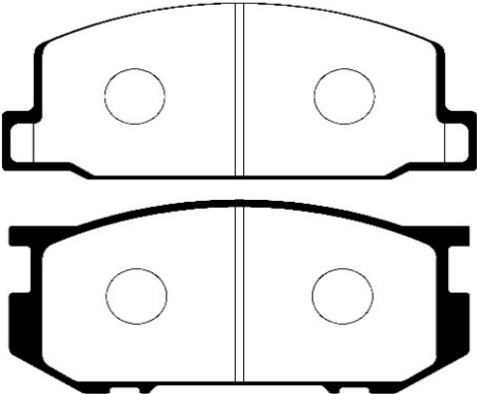
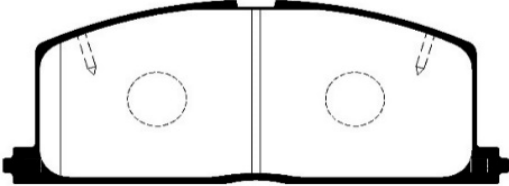
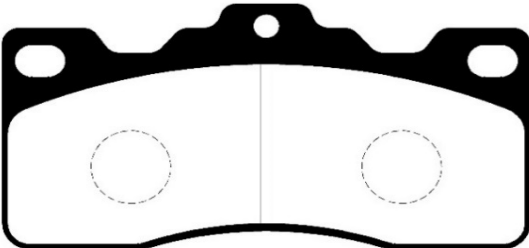
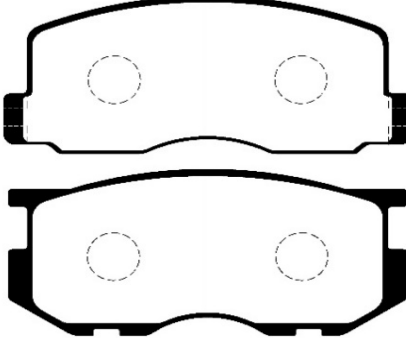
TOYOTA

DISC BRAKE PAD

<p>2017</p>	<p>REAR Z-14.5mm</p>	<p>283</p>	<p>2018 103K</p>	<p>FRONT Z-15.0mm</p>	<p>281 2757</p>
 <p>DB283 X-98.6 ,Y-37.0 , Z-14.5 NOT IN SCALE</p>			 <p>GDB 293 04491-22200 PN-1071 04491-22190 FMSI D207 WVA 21042 X-116 ,Y-47.5 , Z-15.0 NOT IN SCALE</p>		
<p>COROLLA</p>			<p>CARINA 1.6/1.8-AA63,TA6# 81-88 CORONA 1.6-AT141 1982-85 CELICA 1.8-TA63,63 82-85</p>		<p>D2024 K2284 D2024 D2024</p>
<p>2019</p>	<p>FRONT Z-15.5mm</p>	<p>271</p>	<p>2020 50K</p>	<p>FRONT Z-15.5mm</p>	<p>288 2259</p>
 <p>DB271 X-128.8 ,Y-49.0 , Z-15.5 NOT IN SCALE</p>			 <p>SP1378 GDB 188,352 DB288 SP1378,WVA 20852,20566 PN-1086 X-107.3 ,Y-66.0 , Z-15.5 FMSI D137 NOT IN SCALE GDB352</p>		
<p>LITEACE KM20,CM20 79-82 CORONA CT140,CT141 83</p>			<p>HILUX 2000-YN60 1982-88 2400-LN60,61 1983-88 2400-LN65 1986-88 LANDCRUISER 2200-BJ40,41,44 78-80 2400-RJ70 1985-90 3400-BJ70,73,75 82-90 4000-FJ70,73,75 1985-90</p>		<p>K2259 K2302 K2259 K2221 K2279 K2280 K2280</p>

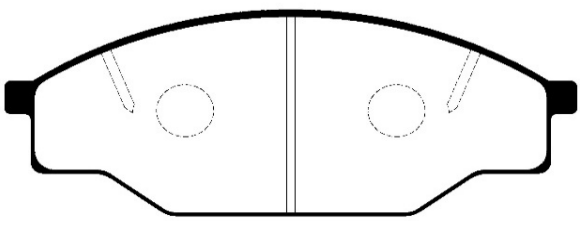
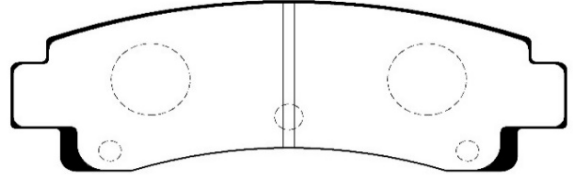
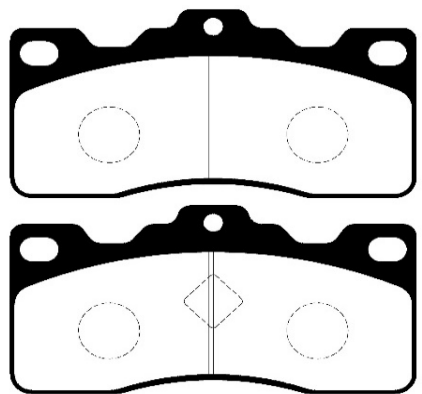

TOYOTA

DISC BRAKE PAD

<p>2021 102K</p>	<p>FRONT Z-15.0mm</p>	<p>322</p>	<p>2023 113K</p>	<p>FRONT Z-15.0mm</p>	<p>308 2776</p>
 <p>DB322 WVA 20854,20856 PN-1081 X-109.1 ,Y-49.0 , Z-15.0 FMSI D282 X-107.0 ,Y-52.0 , Z-15.0 GDB181 NOT IN SCALE</p>			 <p>GDB 323,3184 DB308 SP1105,WVA 20870,21294 PN-1077C X-119.7 ,Y-47.5 , Z-15.0 FMSI D241 NOT IN SCALE</p>		
<p>CARINA 1500-AA60,KA67V 1981-88 K2232 1800-CA60,67 1981-88 K2232 CORONA 1500-TT140,RT140,CT140 K2232 COROLLA 1600 AE86 83-87 K2232</p>			<p>COROLLA 1.3-AE80,EE80,EE90 83-91 K2288 1.3-AE101,102,EE111 95-00 K231 1.5-AE91,1987-91 K2311 1.6-AE82,AE92 1982-92 K2288 CORONA 1.5-AT150,170 83-92 K2285 1.8-ST150,160,163,170 83-92 K2285 CARINA 1.5-AT150,170 83-92 K2285 1.6-AT151,160 84-88 K2285 CALDINA-ET196 92- K2285</p>		
<p>2024 31K</p>	<p>REAR Z-14.5mm</p>	<p>282 2779</p>	<p>2026 124K</p>	<p>FRONT Z-15.5mm</p>	<p>306 2685</p>
 <p>KD79 PN-1074 GDB 193 FMSI D243 WVA 20567 DB282 X-92.8 ,Y-47.3 , Z-14.5 NOT IN SCALE</p>			 <p>GDB 388 PN1328 WVA 21248,21249,21569 FMSI D263 X-126.8 ,Y-55.0 , Z-15.5 DB306 X-128.4 ,Y-52.0 , Z-15.5 SP1130 NOT IN SCALE WVA 21248</p>		
<p>CARDINA 1.8-AA63,TA6# 81-88 D2018 CELICA 1.8-TA63 82-85 D2018 CORONA 1.6 AT141,TT142 83-85 CROWN 2.0 MS100,101,105,110 D2011</p>			<p>LITEACE YM21,CM20, KR26,YR26,KM36,CM35 VAN K2232 K2232</p>		

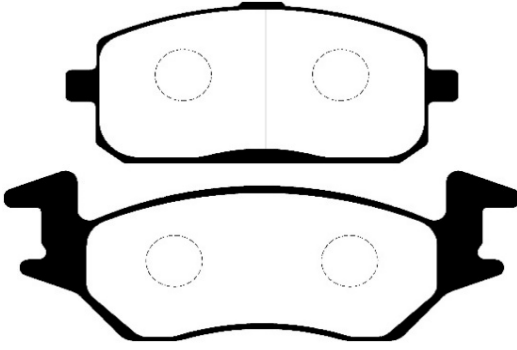
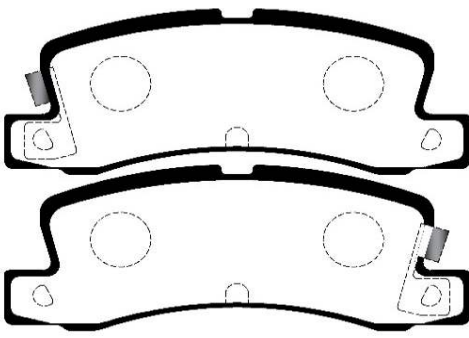
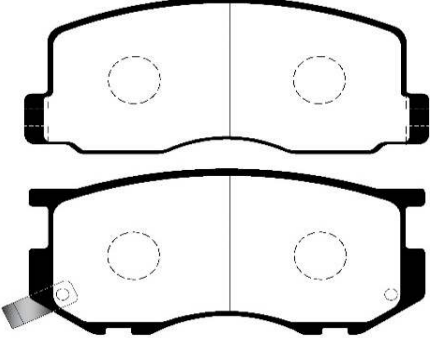
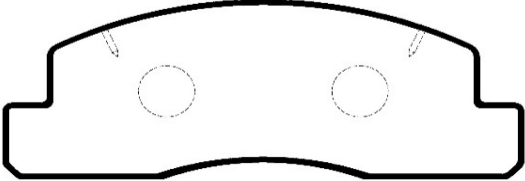
TOYOTA

DISC BRAKE PAD

<p>2027 135K</p>	<p>FRONT Z-15.5mm</p>	<p>318 2689</p>	<p>2028 126K</p>	<p>REAR Z-14.5mm</p>	<p>421</p>
 <p>04465-YZZ56 04465-26020 PN1166 GDB 351,7045 SP1121 WVA 21158 DB318 X-140.0 ,Y-55.5 , Z-15.5 NOT IN SCALE</p>		 <p>PN-1109 GDB946 GDB946 GDB209 WVA 21046 DB421 X-98.7 ,Y-37.0 , Z-14.5 NOT IN SCALE</p>			
<p>HIACE TH50,61,71 LN54 HIACE LN65 DYNA YH80</p>		<p>K2259 K2259</p>	<p>COROLLA AE82 TWINCAM CARINA 1.6DL COROLLA COUPE GB COROLLA AE86GT 83- COROLLA AE101</p>		
<p>2036M 31K</p>	<p>REAR Z-14.5mm</p>		<p>2042 132K</p>	<p>REAR Z-15.0mm</p>	<p>2719</p>
 <p>PN-1016 X-92.8 ,Y-50.0 , Z-14.5 NOT IN SCALE</p>		 <p>X-125.5 ,Y-37.5 , Z-15.0 NOT IN SCALE</p>			
<p>CRESSIDA LX60,TX62,GX60,61 80- CROWN RS110,LS110 79-</p>			<p>CRESSIDA GX71,MX71 84-88 CROWN GS120,MS120</p>		

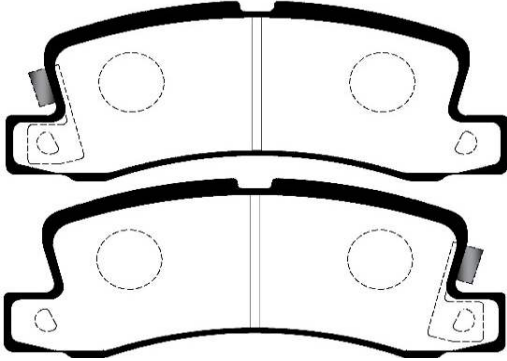
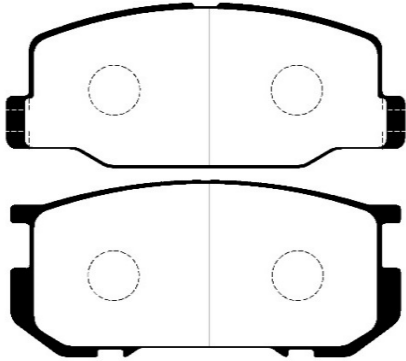
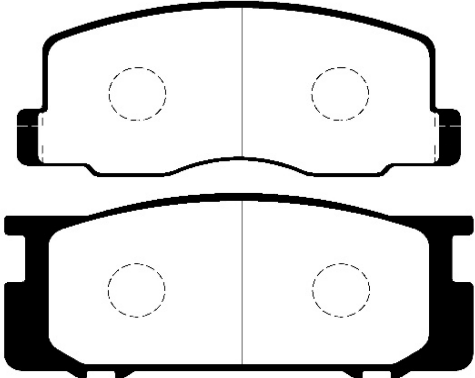
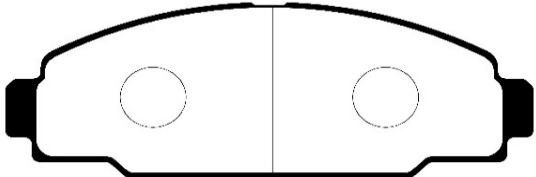
TOYOTA

DISC BRAKE PAD

<p>2046 205K</p>	<p>FRONT Z-13.5mm</p>		<p>2048M 221WK</p>	<p>REAR Z-15.5mm</p>	<p>1147 2636</p>
 <p>GDB 769 WVA 21391,21392 PN-1134 X-97.5 ,Y-44.0 , Z-13.5 FMSI D180 X-132.0 ,Y-39.0 , Z-13.5 GDB769 NOT IN SCALE</p>			 <p>D352 GDB 730 PN-1136 WVA 20076,20077 DB1147 X-107.8 ,Y-42.5 , Z-15.5 NOT IN SCALE</p>		
<p>STARLET EP71,76</p>			<p>K2321</p>	<p>COROLLA AE82 COROLLA AE92</p>	
<p>2050M 294WK</p>		<p>FRONT Z-15.5mm</p>	<p>397 2685W</p>	<p>2052 118K</p>	<p>FRONT Z-18.0mm</p> <p>394 2530</p>
 <p>GDB 3056,7050,7562,7630 PN-1216 X-126.8 ,Y-55.0 , Z-15.5 DB397 X-128.4 ,Y-52.0 , Z-15.5 NOT IN SCALE</p>			 <p>PN-1099 04465-37030 DB394 X-166.6 ,Y-63.3 , Z-18.0 NOT IN SCALE</p>		
<p>LITEACE KM30,36,37</p>				<p>COASTER 2.4-RB20 83-93 2.4-RB26V 87-88 3.4-BB21,26 83-93 DYNA YU60,BU62,WU85 84-91</p>	
				<p>K2266 K2295</p>	

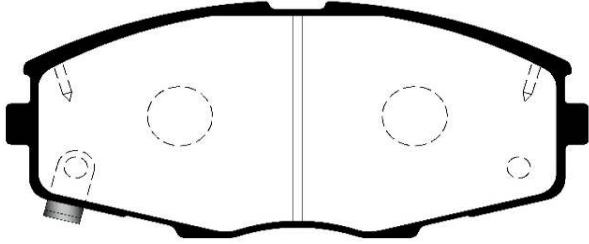
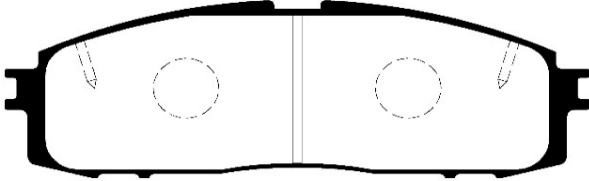
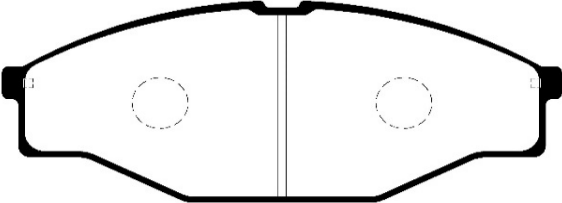
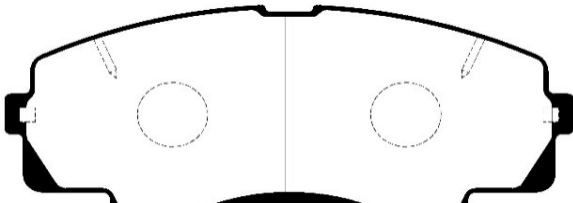
TOYOTA

DISC BRAKE PAD

<p>2053M 222K</p>	<p>REAR Z-15.0mm</p>		<p>2055 238K</p>	<p>FRONT Z-15.5mm</p>	<p>265 2692</p>
 <p>GDB 730 PN1321 X-107.8 ,Y-42.5 , Z-15.0 NOT IN SCALE</p>			 <p>GDB 216 WVA 21250,21767 DB265 X-128,4 ,Y-55,0 , Z-15.5 X-127,0 ,Y-57,0 , Z-15.5 NOT IN SCALE</p>		
<p>CORONA ST182,ST171 CELICA ST162</p>		<p>D2065</p>	<p>CRESSIDA 2.4-LX71,MX72,LX70 84-88 2.4-GX71,MX73 84-88 LITEACE 1.8-YM60,65 86-88 2.0-CM60,65 85-88</p>		
<p>2057 239K</p>	<p>FRONT Z-15.5mm</p>	<p>1122</p>	<p>2059 217K</p>	<p>FRONT Z-15.5mm</p>	<p>1126 2435</p>
 <p>GDB 3130 DB1122 X-128.4 ,Y-52.0 , Z-15.5 X-136.9 ,Y-55.0 , Z-15.5 NOT IN SCALE</p>			 <p>PN-1212 GDB 3090,5015 GDB3090 WVA 21783,21855 GDB1042 04465-25020 DB1126 X-144.0 ,Y-52.5 , Z-15.5 NOT IN SCALE</p>		
<p>TARAGO YR31 4WD</p>			<p>TOYOACE/DYNA 1.6-YY50 85-87 2.0-YY52 2.4-LY50-1.25,1.5t 85-88 2.8-LY51,61- 88- 2.8-LY201,211 95-</p>		<p>K2275</p>

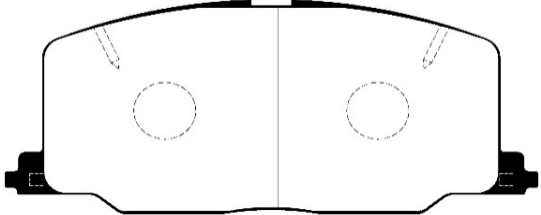
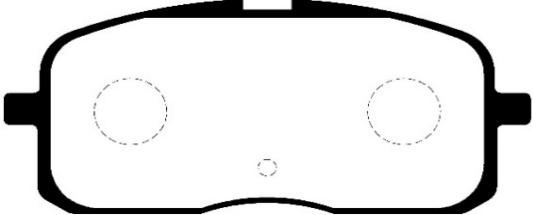
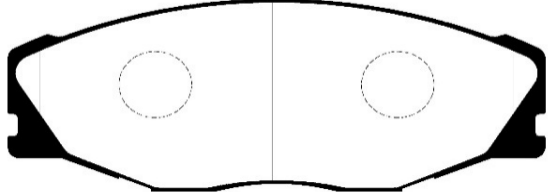
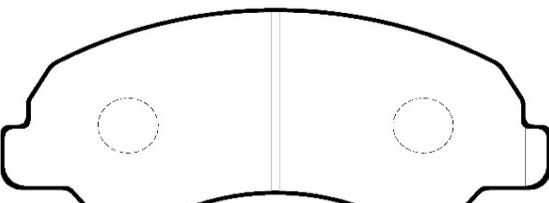
TOYOTA

DISC BRAKE PAD

<p>2060M</p>	<p>FRONT Z-15.5mm</p>	<p>431</p>	<p>2062 353K</p>	<p>REAR Z-15.0mm</p>	<p>413/1244 2733</p>
 <p>DB431 WVA 21376,21377,21187 FMSI D435,336 X-125.3 ,Y-56.0 , Z-15.5 GDB880 NOT IN SCALE SP1429</p>		 <p>PN-1142 WVA 20004 GDB 3081,7512,777,872 FMSI D337,432,622,304 DB413/DB1244 GDB872 X-125.4 ,Y-42.2 , Z-15.0 SP1123 NOT IN SCALE WVA 20004</p>			
<p>SUPRA MA70 3.0 DOHC 3.0 DOHC TURBO 86-93</p>			<p>CROWN 2.0-GS130,2.4-LS130 2.5-JZS131,LS141 89- 3.0-MS125,135,137 87-91 4.0 UZS 131 89-91 CENTURY VG40 87-92</p>		<p>D2067 D2067 D2067 D2069</p>
<p>2063 271K</p>	<p>FRONT Z-15.5mm</p>		<p>2064 247K</p>	<p>FRONT Z-15.5mm</p>	<p>DB2000</p>
 <p>PN-1166 X-140.0 ,Y-55.5 , Z-15.5 NOT IN SCALE</p>		 <p>WVA 21468,24158,24159,24160 DB2000 X-145.5 ,Y-57.5 , Z-15.5 PN-1144 NOT IN SCALE</p>			
<p>DYNA 2.0-YY101 96-2001 2.8-LY101,111,102 96-99 HIACE 2.4-2.8-LH80,81,101 95-96 3.0-LH80,82K 99-01</p>			<p>HIACE (4WD) LH56V,66V 85 1994 ON LH85-995 LY151-161</p>		

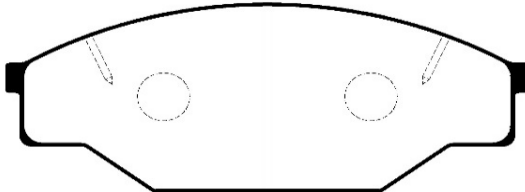
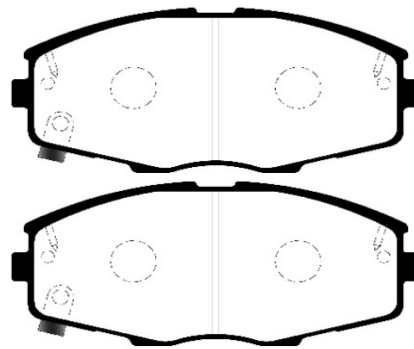
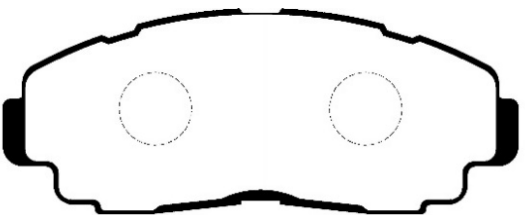
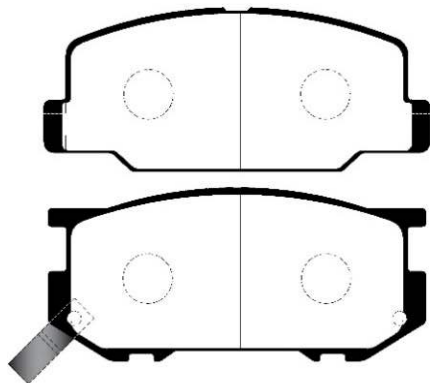
TOYOTA

DISC BRAKE PAD

<p>2065 236K</p>	<p>FRONT Z-15.0mm</p>	<p>1129 2710</p>	<p>2066 254K</p>	<p>REAR Z-12.5mm</p>	<p>8127 2638</p>
 <p>PN-1281 GDB798 FMSI D570,356 WVA 21372,23039 GDB798 SP1436,WVA 21372,23039 DB1129 X-119.7 ,Y-54.0 , Z-15.0 SP1436 NOT IN SCALE</p>			 <p>GDB3225 WVA 23491 GDB3225 X-87.0 ,Y-39.0 , Z-12.5 PN-1178 NOT IN SCALE</p>		
<p>CORONA 1.6-AT175 88-89 2.0-ST171 87-92 CAMRY SV21,25 86-90 CELICA 2.0-ST162 GT,ZR 88-89</p>		<p>D2053M D2053M K2285 D2114M D2114M</p>	<p>STARLET 1.3 EP82 GT 1.5-NP80,90 1983 EL31</p>		
<p>2067 261K</p>	<p>FRONT Z-15.0mm</p>	<p>1137 2761</p>	<p>2068 117K</p>	<p>FRONT Z-14.0mm</p>	
 <p>GDB3118 SP1421 WVA 23371 FMSI D604 X-133.2 ,Y-52.5 , Z-15.0 PN-1157 NOT IN SCALE</p>			 <p>PN-1098 X-127.7 ,Y-52.5 , Z-14.0 NOT IN SCALE</p>		
<p>CROWN 2.0-YS130,GS131,141 87- 2.4-LS130 1987- 2.5-JSZ130G,131 90- 3.0-MS135,137 1987-91 4.0-UZS131 1989-91</p>					

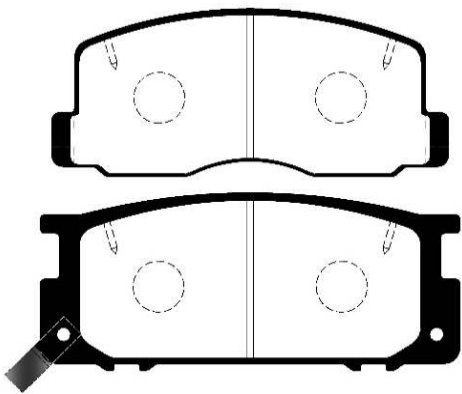
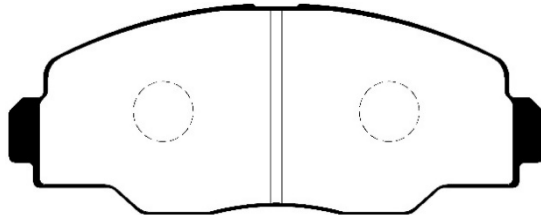
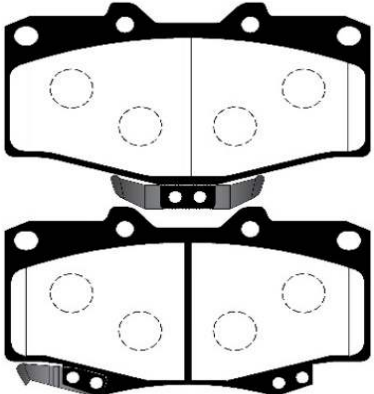
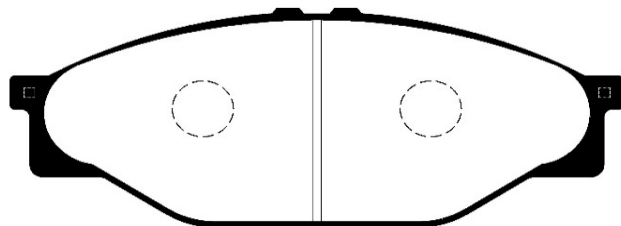
TOYOTA

DISC BRAKE PAD

<p>2069 267K</p>	<p>FRONT Z-15.5mm</p>	<p>1350 2386</p>	<p>2070M 226WK</p>	<p>FRONT Z-15.5mm</p>	<p>2799</p>
 <p>DB1350 04494-35130 WVA 21158 SP1121 04465-YZZ56 FMSI D 303,438 X-140.0 ,Y-55.5 , Z-15.5 PN-1098 NOT IN SCALE</p>		 <p>PN-1141 X-125.3 ,Y-56.0 , Z-15.5 NOT IN SCALE</p>			
<p>CENTURY 4.0-VG40,45 1987-92 HILUX 2.4-LN80,85 88-94 2.4-LN81,86 1994 2.4-LN61,86 1994</p>		<p>D2042 K2260 K2330 K2260</p>			
<p>2074 246K</p>	<p>FRONT Z-18.0mm</p>	<p>1151 2744</p>	<p>2075M 238WK</p>	<p>FRONT Z-15.5mm</p>	<p>387</p>
 <p>DB1151 X-127.9 ,Y-51.0 , Z-18.0 PN-1192</p>		 <p>DB387 X-128.4 ,Y-55.0 , Z-15.5 PF-1217 X-127.0 ,Y-57.0 , Z-15.5 FMSI D616 NOT IN SCALE GDB1190</p>			
<p>CORONA YT140 1982- 2000-CT141,TT141</p>		<p>K2268 K2267</p>	<p>LITE/TOWNACE 2000CC-CM41V-1985-1992 2000CC-CM40-1985-1992</p>		<p>K2321</p>

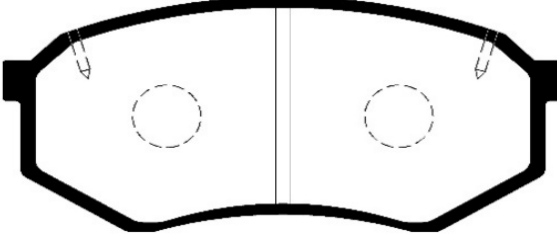
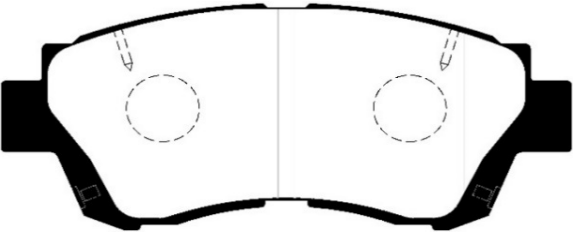
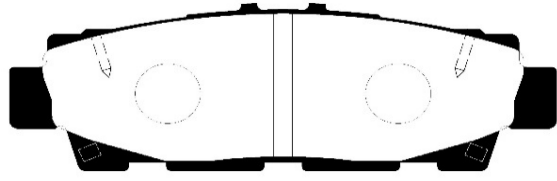
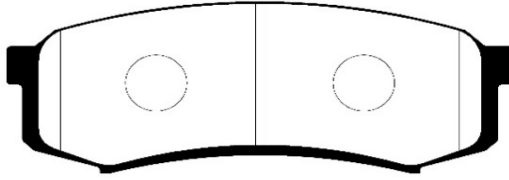
TOYOTA

DISC BRAKE PAD

<p>2077M 293WK</p>	<p>FRONT Z-15.5mm</p>	<p>1122W 2693</p>	<p>2081</p>	<p>FRONT Z-15.5mm</p>	
 <p>FMSI D355 GDB1043,7056 D388 WVA 21249,23037,23038 PN-1218 X-128.4 ,Y-52.5 , Z-15.5 DB1122W X-136.9 ,Y-55.0 , Z-15.5 SP1464 NOT IN SCALE</p>			 <p>PN1212 GDB1042 WVA 21855 X-144.5 ,Y-57.0, Z-15.5mm NOT IN SCALE</p>		
<p>LITEACE CR30,CR37 1992-93</p>			<p>K2252</p>	<p>DYNA YY51,LY50,80 87.8 ON TOYOACE QUICK DELIVERY 200</p>	
<p>2082M 303WK</p>	<p>FRONT Z-15.0mm</p>	<p>1149 2203</p>	<p>2086 333K</p>	<p>FRONT Z-15.5mm</p>	<p>1205 2604</p>
 <p>GDB797 21681 SP1222A PN-1219 WVA 21679,21680,21681,21785 FMSI D436 X-119.4 ,Y-72.4 , Z-15.0 SP1222 X-119.4 ,Y-66.9 , Z-15.0 WVA 21679 NOT IN SCALE</p>			 <p>D2004 PF-1227 SP1139 SP1139,WVA 21689 GDB3109 X-140.0 ,Y-55.0 , Z-15.5 DB1205 NOT IN SCALE FMSI D434</p>		
<p>LANDCRUISER 2.4-RJ70,77 1990-96 2.8-LJ72,79 1993- 4.5-FZJ70,73,75 92-95 HILUX LN106,110 SURF</p>		<p>K2305 K2305 K2280 K2305</p>	<p>HIACE 2.0-RZH100G,102V,112V 89- 2.4-LH100G,102V 89-93 2.8-LH103,LH113 89-95</p>		<p>K2317 K2317 K2317</p>

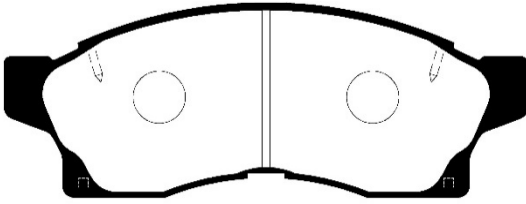
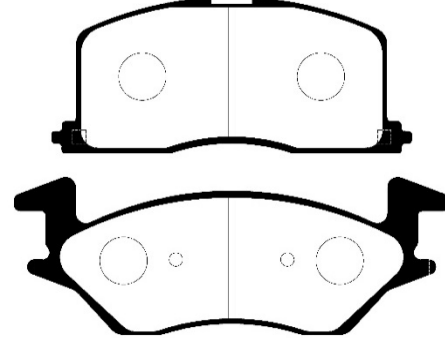
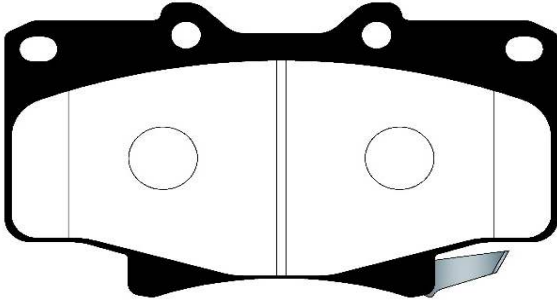
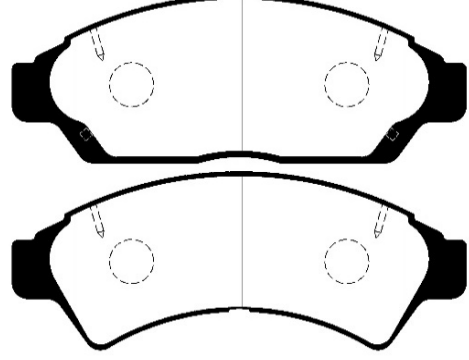
TOYOTA

DISC BRAKE PAD

<p>2087 275K</p>	<p>FRONT Z-15.5mm</p>	<p>1141 2775</p>	<p>2088 322K</p>	<p>FRONT Z-17.0mm</p>	<p>1209 2731</p>
 <p>DB1141 GDB 1026,7181,875 PN-1246 WVA 21318,21537,12538,22337 FMSI D433,589,389 GDB1026 X-116.0 ,Y-53.3 , Z-15.5 GDB875 NOT IN SCALE</p>			 <p>FMSI D744,476,718,697 SP1138 GDB1142,3155 WVA 21971 X-141.6 ,Y-62.0 , Z-17.0 PN-1228 NOT IN SCALE</p>		
<p>CHESTA,MARK II</p>			<p>CAMRY 3.0 V6 VIENTE 93- LEXUS ES300 1992-95 LS400 1990-93</p>		<p>D2114M D2114M</p>
<p>2089 323K</p>	<p>REAR Z-15.5mm</p>	<p>1234 2742</p>	<p>2090 337K</p>	<p>REAR Z-15.5mm</p>	<p>1200 2281</p>
 <p>DB1234 PN-1252 GDB1257 X-117.0 ,Y-40.0 , Z-15.5 FMSI D488 NOT IN SCALE</p>			 <p>PN-1243 FMSI D606 WVA 21947 GDB1182,3280,3464,3110 DB1200 X-116.0 ,Y-44.0 , Z-15.5 SP2040 NOT IN SCALE</p>		
<p>UCF10,11 LEXUS LS400 1990-93</p>			<p>LANDCRUISER FJ80 HZJ80,FJ73,75,77</p>		<p>K2321</p>

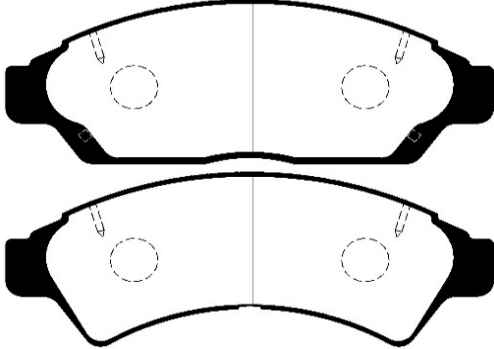
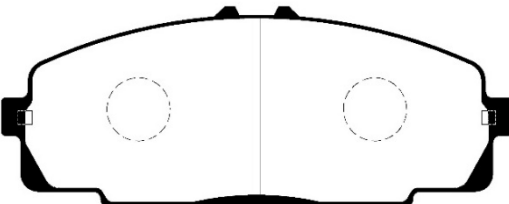
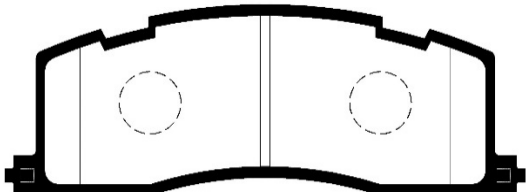
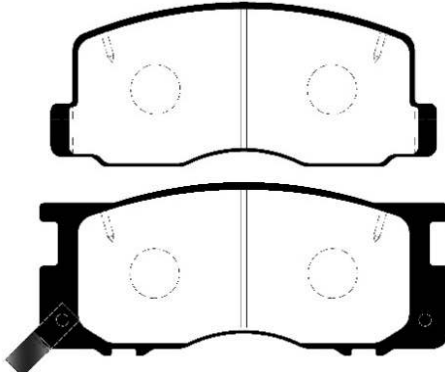
TOYOTA

DISC BRAKE PAD

<p>2091 320K</p>	<p>FRONT Z-15.5mm</p>	<p>8040</p>	<p>2092 330K</p>	<p>FRONT Z-13.5mm</p>	<p>1314 2730</p>
 <p>SP1465 WVA 21762 PN-1275 X-140.5 , Y-52.0 , Z-15.5 DB1227 NOT IN SCALE</p>		 <p>WVA 21948,21949 PN-1256 X-106.0 , Y-46.0 , Z-13.5 GDB878,879 X-132.0 , Y-54.5 , Z-13.5 DB1314 NOT IN SCALE</p>			
<p>MR2 2.0 SW20 1989-91-</p>		<p>STARLET NP80,EP90</p>			
<p>2094M 336WK</p>	<p>FRONT Z-15.0mm</p>	<p>1199 2280</p>	<p>2102 355K</p>	<p>FRONT Z-15.5mm</p>	<p>8124 2709</p>
 <p>DB1199 PN-1242 WVA 21775,21776 FMSI D502 X-119.4 , Y-71.4 , Z-15.0 GDB1154 NOT IN SCALE</p>		 <p>GDB 3140 X-144.5 , Y-53.5 , Z-15.5 X-144.5 , Y-45.0 , Z-15.5 PN-1259 NOT IN SCALE</p>			
<p>LANDCRUISER HZJ80,FJ/HDJ80 90-92</p>		<p>D2090</p>	<p>CAMRY SV30,SV32,33,35</p>		<p>K2285</p>

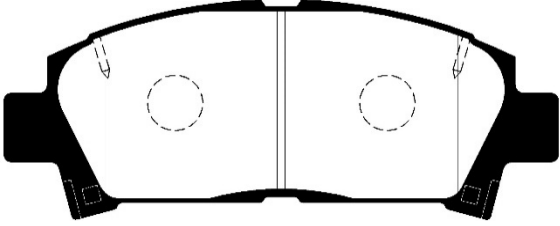
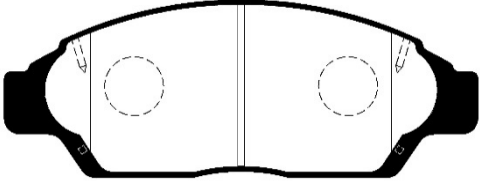
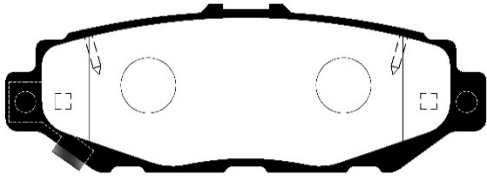
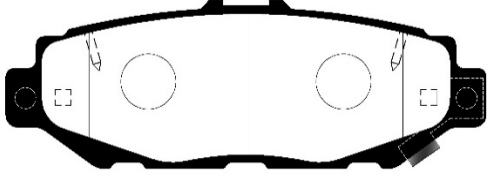


TOYOTA

DISC BRAKE PAD

<p>2102 355K</p>	<p>FRONT Z-15.5mm</p>	<p>8124 2709</p>	<p>2104 334K</p>	<p>FRONT Z-15.5mm</p>	<p>1328 2605</p>
 <p>X-144.5 ,Y-53.5 , Z-15.5 X-144.5 ,Y-45.0 , Z-15.5</p> <p>PF-1259 NOT IN SCALE</p>			 <p>PN-1237 SP2077 WVA 21468,24158,24159,24160 FMSI D1344 X-145.5 ,Y-57.0 , Z-15.5 GDB770 NOT IN SCALE</p>		
<p>CAMRY SV30,SV32,33,35</p>		<p>K2285</p>	<p>HIACE 2.0-RZH100G,112,211V96- 2.4-LH102V,111G 95- 2.8-LH117,119V 89- 3.0-KZH100G,132V 95- REQUIUS-2.7 RCH41W,47W 97-</p>		<p>K2330 K2335 K2317 K2330 D2112</p>
<p>2105 340K</p>	<p>REAR Z-15.5mm</p>	<p>1213 2711</p>	<p>2106M 379WK</p>	<p>REAR Z-15.5mm</p>	<p>1215 2691</p>
 <p>PN-1274 FMSI D501 SP2036 WVA 21688 GDB1138 X-119.7 ,Y-42.5 , Z-15.5 DB1213 NOT IN SCALE</p>			 <p>GDB1195,3086 SP2035 WVA 21836,21837,21835,23015 DB1215 X-128.4 ,Y-52.0 , Z-15.5 PF-1273 X-136.9 ,Y-55.0 , Z-15.5 FMSI D500 NOT IN SCALE</p>		
<p>MASTER ACE/ESTIMA 2.4 TCR10,11,20,21W</p>		<p>D2106M</p>	<p>ESTIMA 2.4 TCR10,11,20,21W ESTIMA-LICIDA-EMINA 2200-CXR10G,20G 92-93 2200-CXR11G,21G 92-93 2400-TCR11G,21G 92-93</p>		<p>D2105 D2252 D2282 D2282A</p>

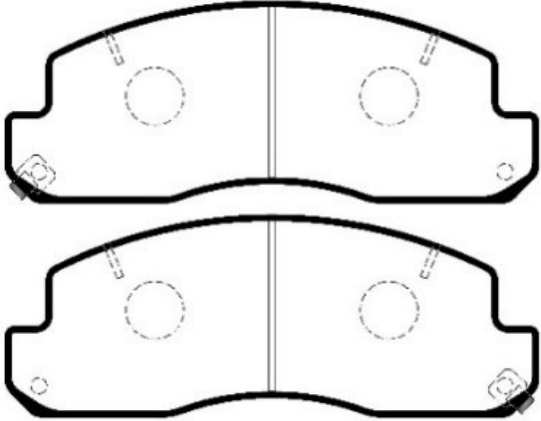
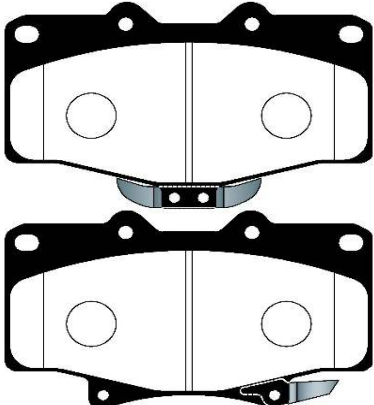
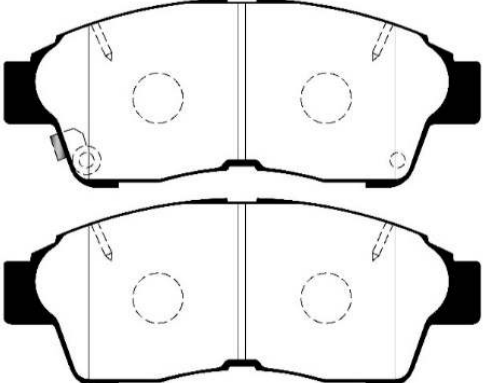
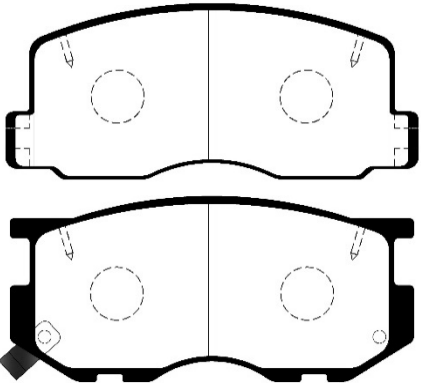
TOYOTA

DISC BRAKE PAD

<p>2108 374K</p>	<p>FRONT Z-15.5mm</p>	<p>1352 2267</p>	<p>2109 354K</p>	<p>FRONT Z-15.5mm</p>	<p>8125 2709W</p>
 <p>DB1352 PN-1267 SP1466 FMSI D582 WVA 21961 GDB1145 X-141.0 ,Y-56.0 , Z-15.5 SP1466 NOT IN SCALE</p>		 <p>GDB 3141 X-144.5 ,Y-53.5 , Z-15.5 PN-1260 NOT IN SCALE</p>			
<p>CALDINA 2000-ST210G,215G CARINA 1.6 AT210 98- CELICA 2.0 ST202 97-99 COROLLA 1.6 AE111 95-00 LEVIN 1.6 AE101 92-95</p>		<p>CAMRY VISTA 2.0-SV32 GT VZ 90-94 SV33 1990-94 2.5-VZV 33 1991-95</p> <p>D2114M D2114M D2114M</p>			
<p>2112M 369K</p>	<p>FRONT Z-15.5mm</p>	<p>605 DB1396</p>	<p>2114M 420WK</p>	<p>FRONT Z-15.0mm</p>	<p>422 2732</p>
  <p>GDB1185 PN1363 WVA 21491,24130,24131 X-121.9 ,Y-41.0 , Z-15.5 NOT IN SCALE</p>		  <p>WVA 20077 20076 SP1208 GDB3329,978,3164,730,1168 WVA20076 PN-1321 X-107.6 ,Y-42.5 , Z-15.0 FMSI D325 NOT IN SCALE FMSI D685</p>			
<p>CROWN 2.0-GX100 00- 2.4-LS151H 95- 2.5-JZS151,JZS153 95- 3.0-JZS147,149,155 91-95 4.0-UZS141,147,</p>		<p>D2088 D2088 D2088 D2088 D2088</p> <p>CAMRY-VICTA 1.8-SV30 1992-94 2.0-SV32,33,35 90-94 2.4-ACV35-4WD 2001- CORONA CT195-ST171,ST191,195 CARINA 1.6-AT191,1.8-ST190 RAV4 -2.0 SXA10,11 00- HARRIER SXU10,15W 97-00</p> <p>D2118M D2102 D2118M D2166</p>			

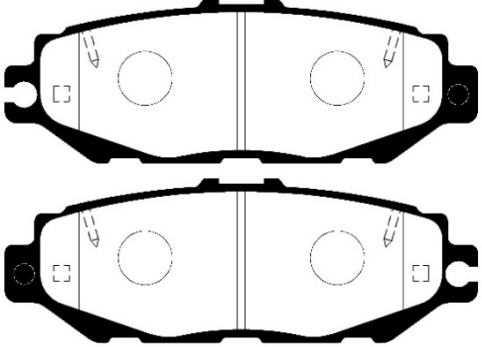
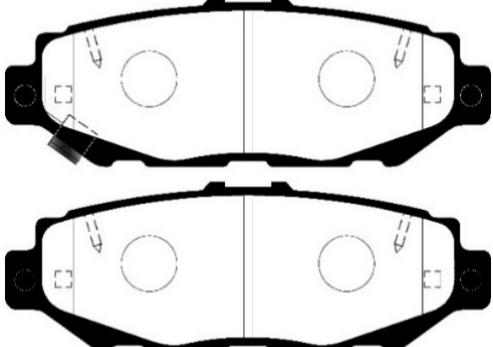
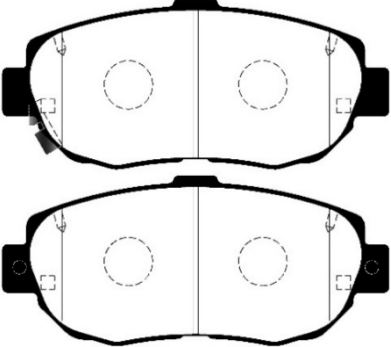
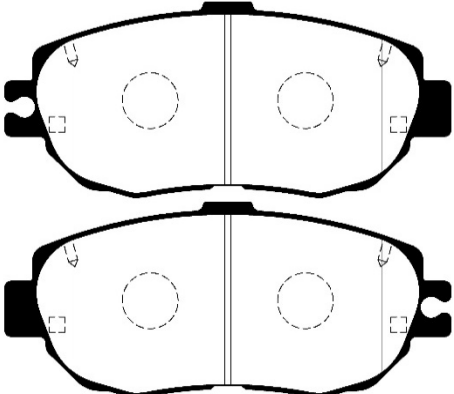
TOYOTA

DISC BRAKE PAD

<p>2115M 409WK</p>	<p>FRONT Z-18.0mm</p>	<p>2532</p>	<p>2117M 406WK</p>	<p>FRONT Z-15.5MM</p>	<p>1346 2204</p>
 <p>GDB 3027,7561,7592 X-166.6 ,Y-68.2 , Z-18.0 NOT IN SCALE</p>			 <p>SP1420 GDB 3383,3103,7049 DB1346 WVA 21775,21776 PN-1351 X-119.4 ,Y-71.4 , Z-15.5 FMSI D611 X-119.4 ,Y-76.4 , Z-15.5 GDB7049 NOT IN SCALE</p>		
<p>COASTER HZB40,50 RZU100,BU100A-140 BU212-222</p>		<p>K2329</p>	<p>HILUX 2.4 LN130G HILUX 2.8 LN131V</p>		
<p>2118M 394WK</p>	<p>FRONT Z-17.5mm</p>	<p>1267 2718</p>	<p>2121M 405WK</p>	<p>FRONT Z-15.5mm</p>	<p>1276 2727</p>
 <p>DB1267 GDB 1143,3147,3267,3300 PN-1322 SP1110,WVA 21601,21602 FMSI D562 X-133.2 ,Y-53.0, Z-17.5 NOT IN SCALE GDB3147</p>			 <p>DB1276 GDB 3056,7050,7562,7630 PN-1328 WVA 20182,20186,21249,21369 FMSI D263 X-128.4 ,Y-52.0 , Z-15.5 GDB388 X-126.8 ,Y-55.0 , Z-15.5 NOT IN SCALE</p>		
<p>CAMRY SXV10,15,20 96- CORONA ST190,191 97- RAV4 SXA10,11-2000 GRACIA-2.2 SX20 96- GAIA 2.0-SXM10,15</p>			<p>ESTIMA 1996- LITEACE 2000-CR21G ABS 92-93 CR27V,YR21G,CR28G 2200-CR22,CR29</p>		

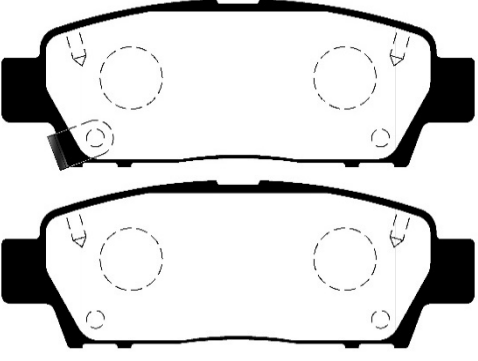
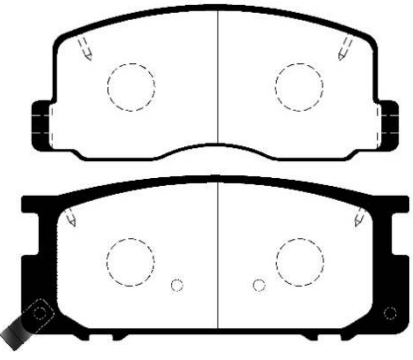
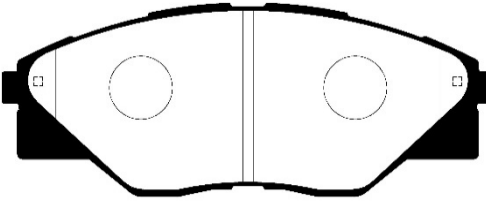
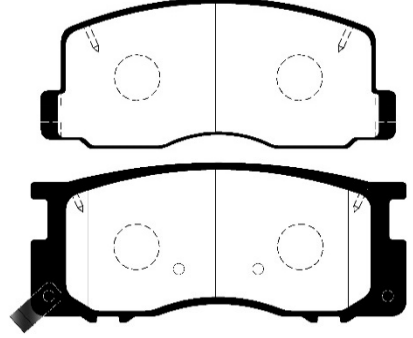
TOYOTA

DISC BRAKE PAD

<p>2123 396K</p>	<p>REAR Z-15.5mm</p>	<p>608 2705</p>	<p>2125M 398WK</p>	<p>FRONT Z-15.5mm</p>	<p>2756</p>		
 <p>SP4160 DB1420 WVA 23601,23661,25347 PN-1326 X-121.9 ,Y-41 , Z-15.5 FMSI D613 NOT IN SCALE GDB1240</p>			 <p>SP1432 WVA 21491 DB1396 FMSI D572-7452 PN-1363 X-121.9 ,Y-41.0 , Z-15.5 GDB1185 NOT IN SCALE 21491</p>				
<p>CELSIOR 4000-UCF10,UCF11 1992- CENTURY 5000-GZG50 1997- LEXUS LS400</p>			<p>CELSIOR 4000-UCF10 1992- K2321</p>				
<p>2126M 413WK</p>	<p>FRONT Z-17.0mm</p>	<p>622 2741W</p>	<p>2129 395K</p>	<p>FRONT Z-17.0mm</p>	<p>607 2741</p>		
 <p>SP1386 GDB3235 DB1395 WVA 21490,23848,23849 PN-1324 X-144.0 ,Y-64.5 , Z-17.0 FMSI D619 NOT IN SCALE GDB1184</p>			 <p>GDB 1241 WVA 21788,21789 PN-1325 X-144.0 ,Y-64.0 , Z-17.0 DB1419 NOT IN SCALE</p>				
<p>CELSIOR 4.0 UCF10 92- ARISTO 3.0 JZS160 87-05 CROWN 4.0-UZS143,145,155 92-95 LEXUS SC 4.3 UZZZ40 05- LS400 4.0 UCF10-W/O ABS 92-</p>			<p>D2112 D2125M</p>	<p>CELSIOR 4.0UCF11 92- LEXUS-LS400 4.0-UCF10-ABS 92-93 4.0-UCF11 92-</p>		<p>REAR REAR</p>	<p>D2123 D2123 D2123</p>

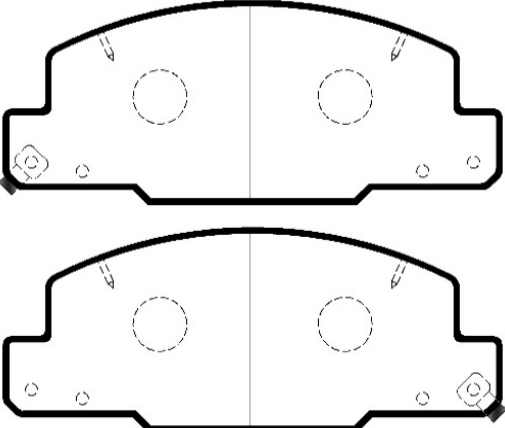
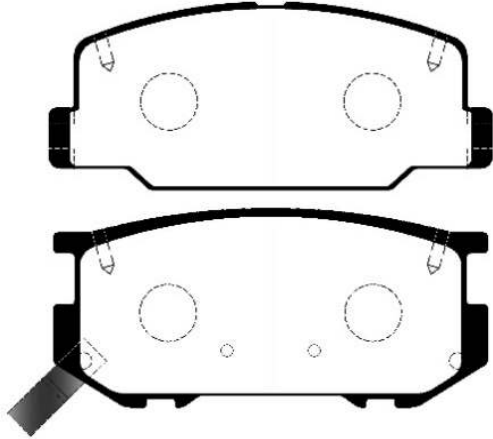
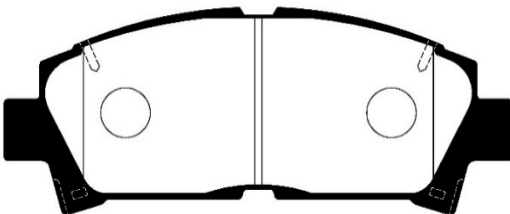
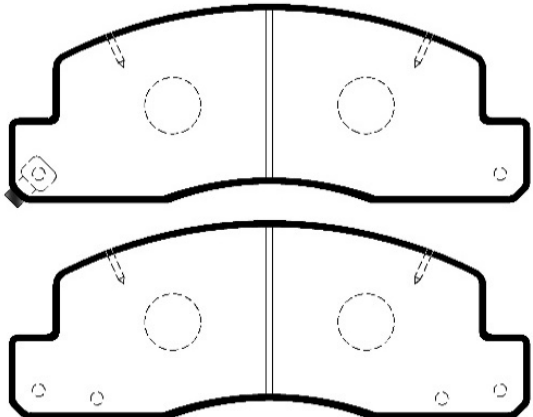
TOYOTA

DISC BRAKE PAD

<p>2131M 403WK</p>	<p>REAR Z-17.5mm</p>	<p>8059 2702</p>	<p>2134M 404WK</p>	<p>FRONT Z-15.5mm</p>	
 <p>GDB 7055 SP2022 WVA 24844,24845,24846 PN-1323 DB1384 FMSI D672 X-106.0 ,Y-38.2 , Z-17.5 GDB7055 NOT IN SCALE</p>		 <p>PN-1327 X-128.4.0 ,Y-52.5 , Z-15.5 FMSI D388 X-136.9 ,Y-55.0 , Z-15.5 FMSI D355 NOT IN SCALE GDB3130</p>			
<p>AVALON 3.0 MCV10 95 CROWN GS151 1995- MARK II-CHASER-CRESTA-CRESSIDA 2.4-LX90 92- 3.0-JZX91 95-</p>			<p>D2118M D2088</p>	<p>LITEACE 2.0-CR30G,36V,37G,YR30G 92-</p>	
<p>2136 2303</p>	<p>FRONT Z-16,0MM</p>	<p>8404 2518</p>	<p>2138M 408WK</p>	<p>FRONT Z-15.5mm</p>	<p>2691W</p>
 <p>PN1802 SP1544 GDB 3532,7773 8731-D1523 WVA 23416,23417,23654,23655 MK-2303 X-140,0 ,Y-55,0 , Z-16,0 FMSI D1523 NOT IN SCALE</p>		 <p>PN-1399 X-128.4 ,Y-52.0 , Z-15.5 X-136.9 ,Y-55.0 , Z-15.5 NOT IN SCALE</p>			
<p>HILUX SURF (PICKUP) 2,5-KUN25L YR2007 2,5 TGN1-GGN2 YR2007</p>		<p>S1012 K2395 FN0620</p>	<p>ESTIMA/PREVIATARAGO 2.4-TCR10W,11W,20W,21W W/ABS 92-96 ESTIMA LUCIDA-EMINA 2.2-CXR10G,20G 93-94 2.4-TCR10G,20G 93-96</p>		

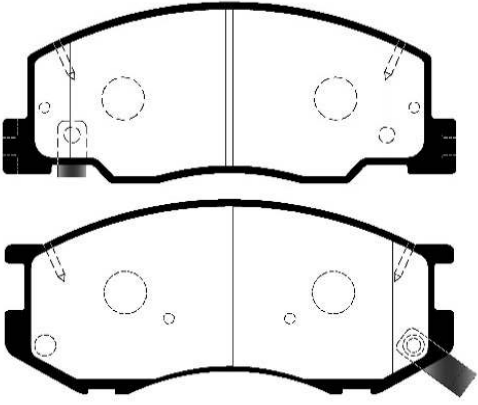
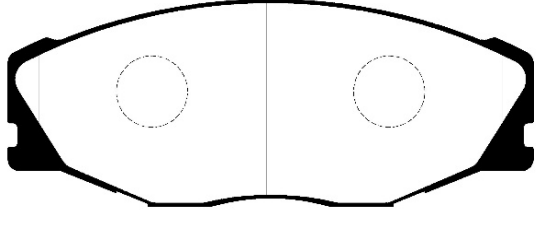
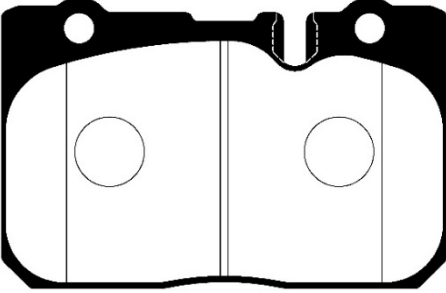
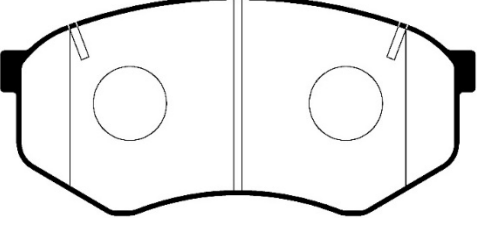
TOYOTA

DISC BRAKE PAD

<p>2140M</p>	<p>FRONT Z-20.0MM</p>	<p>8119 2510</p>	<p>2142M AN407WK</p>	<p>FRONT Z-15,5mm</p>	
 <p>GDB7058 WVA 29322,29323 SP1450 X-166.6 ,Y-67.0 , Z-20.0 NOT IN SCALE</p>			 <p>PN1385 X-128.4 ,Y-55.0 , Z-15.5 X-127,0 ,Y-55.0 , Z-15.5 NOT IN SCALE</p>		
<p>DYNA 4600 -XZU362,372-382 YR 99- COASTER 4200-HDB50,51 YR99 HZB 46V YR99-</p>		<p>K2329</p>	<p>ESTIMA-YR1995-1996 2200-CXR10G,11G,20G 21G 2400-TCR10W,20W,10G,11G,20G,21G</p>		
<p>2145</p>	<p>FRONT Z-17.5mm</p>	<p>2267D</p>	<p>2148M 417WK</p>	<p>FRONT Z-20.0MM</p>	<p>1293 2531</p>
 <p>PN-1362 X-141.0 ,Y-56.0 , Z-17.5 NOT IN SCALE</p>			 <p>GDB7048,7061 WVA 23306,29296,29297 PN-1329 X-166.5 ,Y-62.0 , Z-20.0 DB1293 NOT IN SCALE</p>		
<p>CARINA ED ST205 CORONA EXIV ST205</p>			<p>DYNA 3.4 BU85 2.4-COASTER RB20 HINO DUTRO 3700-BU301M-99-05 4000-XZU304M,XKU304E,XKU344E XZU433M YR2003-</p> <p>K2329</p>		

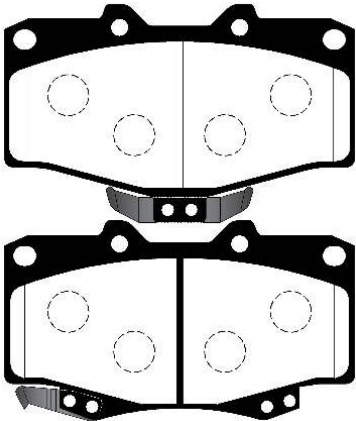
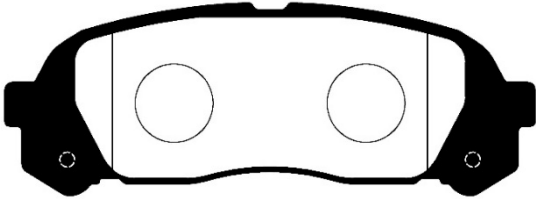
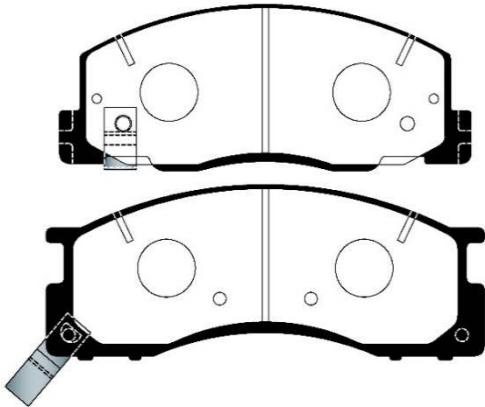
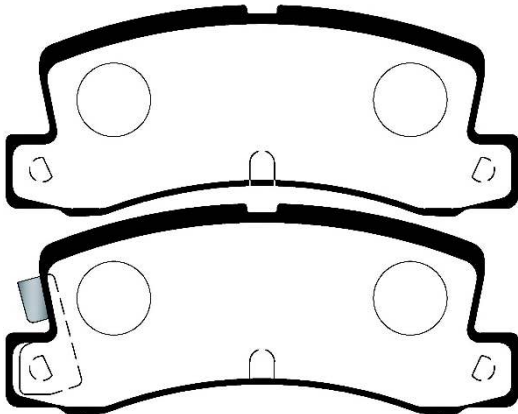
TOYOTA

DISC BRAKE PAD

<p>2150M 469WK</p>	<p>FRONT Z-15.5mm</p>	<p>1372 2717</p>	<p>2153</p>	<p>FRONT Z-16.0mm</p>	<p>2761D</p>
 <p>DB1372 WVA 23032,23033,23505 PN-1404 X-128.4 ,Y-52.0 , Z-15.5 FMSI D716 X-126.8 ,Y-55.0 , Z-15.5 GDB3157,7630 NOT IN SCALE SP1433</p>			 <p>SP1421,FMSI D686,604 PN-1157-2 X-133.2 ,Y-52.8 , Z-16.0 NOT IN SCALE</p>		
<p>UNSER 1.8 ESTIMA 2200-CXR10G,11G,20G,21G 2400-TCR10G,10W,11G,11W NOAH SR40G,50G 96-2001</p>			<p>K2335</p>	<p>CROWN LS130,YS132 91-</p>	
<p>2154 445K</p>	<p>FRONT Z-17,0mm</p>	<p>615 2708</p>	<p>2155 490K</p>	<p>FRONT Z-16.5mm</p>	<p>2775D</p>
 <p>PN1370 SP4159 FMSI D665 WVA 22255,24408,24409,24743 GDB3226 X-115,4 ,Y-75.4 , Z-17.0 DB1421 NOT IN SCALE</p>			 <p>PN-1386 X-116 ,Y-53.5 , Z-16.5 NOT IN SCALE</p>		
<p>CELSIOR GXE10-20 YR 90-94 LEXUS LS400</p>					

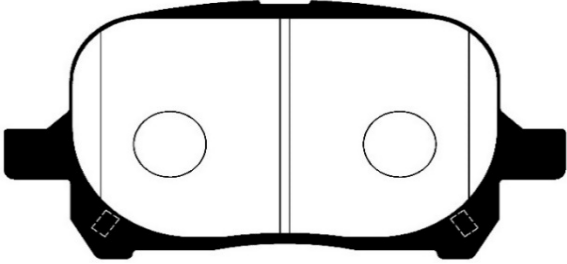
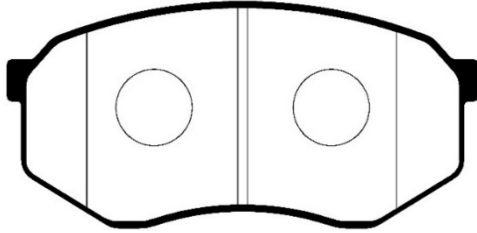
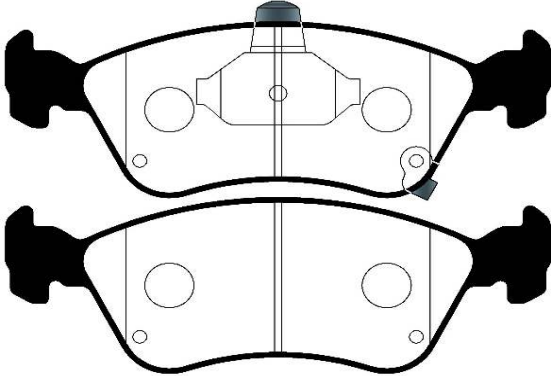
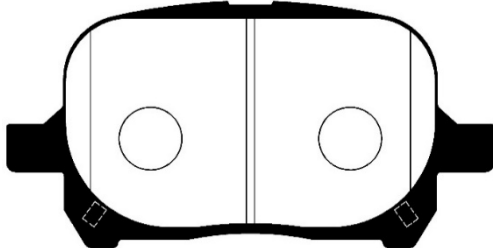
TOYOTA

DISC BRAKE PAD

<p>2160M 458WK</p>	<p>FRONT Z-17.0MM</p>	<p>1325 2203D</p>	<p>2163 467K</p>	<p>REAR Z-17,5mm</p>	<p>8036 2715</p>
 <p>PN-1387 WVA 21775,21776 GDB3383 X-119.4 ,Y-66.9 , Z-17.0 GDB7049 X-119.4 ,Y-72.4 , Z-17.0 GDB3103 NOT IN SCALE</p>		 <p>X-116,0 ,Y-40,0 , Z-17.5 NOT IN SCALE</p>			
<p>LANDCRUISER PRADO RZJ90,95W HILUX 2.7-RZN185W 95-02-</p>		<p>CHASER/CRESTA 1,8 SX100 YR 1998-2001 2,0 GX100 YR1998-2001 2,4 LX100 YR 1996-2001 COROLLA (JAPAN) 2,4 LX100 YR 1996-2001 CROWN COMFORT (JAPAN) 2,0 TSS10,11,11Y,13Y YR2008- MARK II 2,0 GX100 YR1998-2001 2,4 LX100 YR 1996-2001</p>			
<p>2164M 470WK</p>	<p>FRONT Z-15.5mm</p>		<p>2165M</p>	<p>REAR Z-15.5mm</p>	
 <p>GDB7066,7201 X-128,4 ,Y-52.0 , Z-15,5 X-136,8 ,Y-54.5 , Z-15,5 PN-1405 NOT IN SCALE</p>		 <p>X-107,8 ,Y-35,0 , Z-15,5 NOT IN SCALE</p>			
<p>LITEACE 2.0-SR50G,CR50G 96- 2.0-SR40G,SR50G 96- 2.2-CR40G,CR50G 96-</p>					

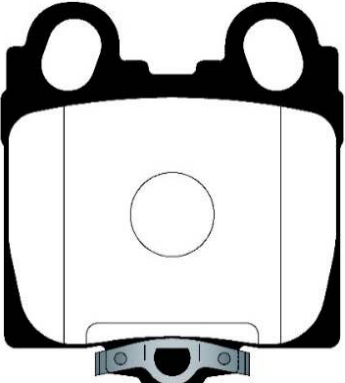
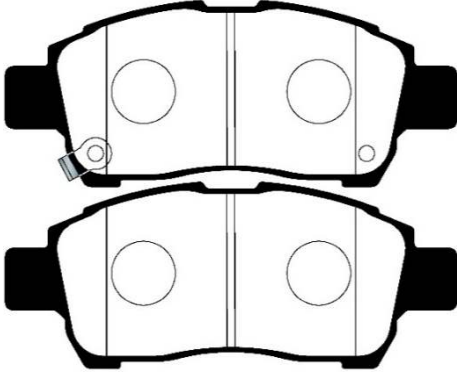
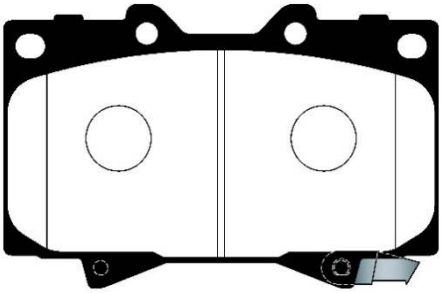
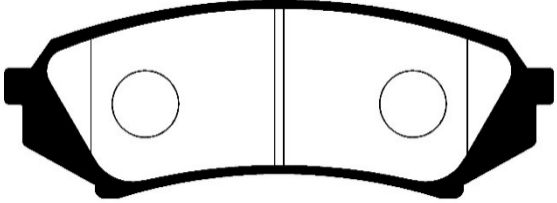
TOYOTA

DISC BRAKE PAD

<p>2166 465K</p>	<p>FRONT Z-17.0mm</p>	<p>1345 2758</p>	<p>2169 474K</p>	<p>FRONT Z-18.0mm</p>	<p>DB1423 2745</p>
 <p>GDB 3152,3277 PN-1401 WVA 23513 GDB3248,3152,3277 SP1226 FMSI D707 X-117.0 ,Y-59.5 , Z-17.0 DB1345 NOT IN SCALE WVA 23513</p>			 <p>PN-1402 X-116.0 ,Y-53.3 , Z-18.0 DB1423 NOT IN SCALE</p>		
<p>HARRIER SXU10W,15W 97-00 3000-MCU10W,15W 97-00 CAMRY 3.0i V6 24V</p>			<p>COMFORT 1.8-SXS11Y 97- 2.0-YXS11 95-97 2.4-LXS11 97- 2.4-LXS11Y 97-</p>		
<p>2170M</p>	<p>FRONT Z-17,0mm</p>	<p>2797</p>	<p>2172</p>	<p>FRONT Z-16.0mm</p>	<p>951 6769</p>
 <p>PN1170 WVA 21975,21976,21977 GDB3163 X-156,5 ,Y-55.0 , Z-17.0 SP1597 NOT IN SCALE</p>			 <p>DB1392 MK2216 SP1270 FD2172 WVA 23294 FMSI D741 X-117.0 ,Y-55.0 , Z-16.0 GDB3204 NOT IN SCALE WVA 23294</p>		
<p>AVENSIS (EUR) 1,6i,1,8i,2,0i 16V,2,0 TD (BERLINA/SEDAN) YR1997 TO 2000</p>			<p>HARRIER 99-</p>		

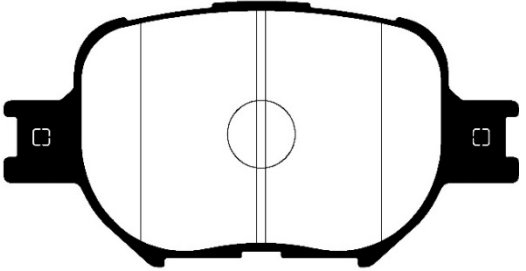
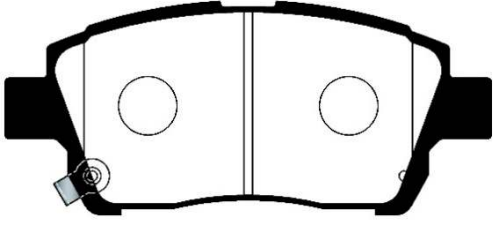
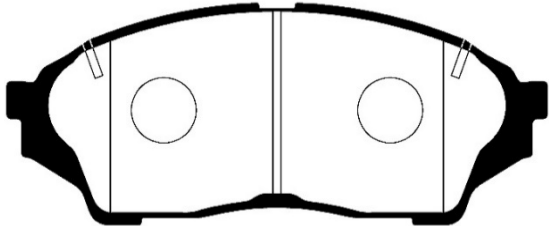
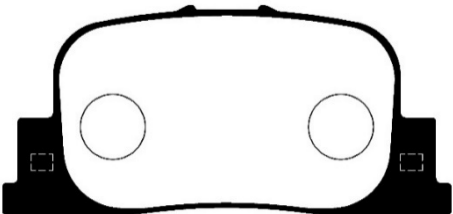
TOYOTA

DISC BRAKE PAD

<p>2173M 489WK</p>	<p>REAR Z-15.5mm</p>	<p>959 2722</p>	<p>2174M 618WK</p>	<p>FRONT Z-16.5mm</p>	<p>980 2701</p>	
 <p>WVA, 21790 23429 SP1554 DB1416 04466-30150,04466-30151 MK2173M 04466-22180,04466-30122 FD2822M WVA23429 04466-30170 PN-1421 X-57.5 ,Y-63.8 , Z-15.5 FMSI D771 NOT IN SCALE GDB3233</p>		 <p>GDB3218 WVA 23348,23349,23350 FD2804M FMSI D831,GDB 3218 PN-1432 X-112.6 ,Y-46.5 , Z-16.5 DB1378 NOT IN SCALE</p>				
<p>CROWN/MARK II 2.5-JZS171W 99-03 3.0-JZS175-179 99-03 4.0-UZS171-175 99-04 LEXUS GS300 1998-</p>			<p>D2193 D2193 D2088</p>	<p>YARIS 1.3 ECHO 1.5-NCP12 1999- VITZ 1.0 SCP10 99-00 1.3-NCP10 99-00</p>		<p>K2350 K2350 K2350 K2350</p>
<p>2177M 498WK</p>	<p>FRONT Z-17.5mm</p>	<p>1365 2208</p>	<p>2179 499K</p>	<p>REAR Z-17.0mm</p>	<p>1383 2755</p>	
 <p>TRW 7072 3197 FMSI D772 WVA 23524,23525 SP1379 FD2170M X-119.5 ,Y-78.5 , Z-17.5 PN-1411 NOT IN SCALE FMSI D772</p>		 <p>FMSI D773 SP1380 DB1383 WVA 23539 FD2818 X-123.0 ,Y-45.5 , Z-17.0 PN-1412 NOT IN SCALE GDB3198</p>				
<p>LANDCRUISER KING,HZJ100 LEXUS LX470</p>			<p>D2179</p>	<p>LANDCRUISER KING,HZJ100 LEXUS LX470</p>		<p>D2177</p>

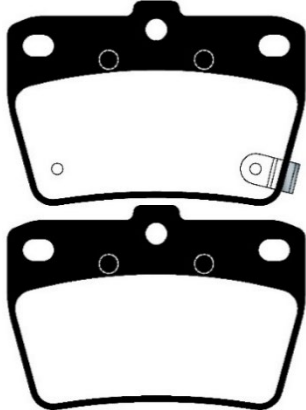
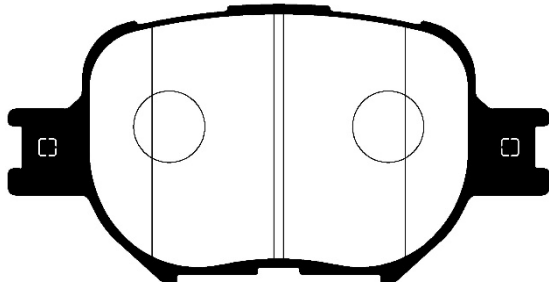
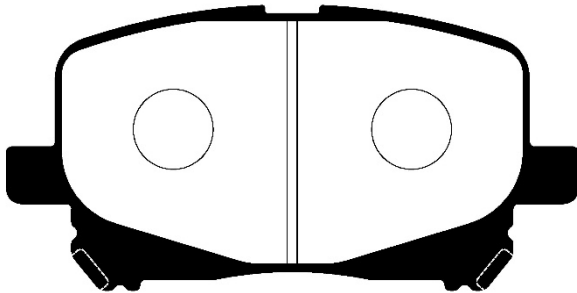
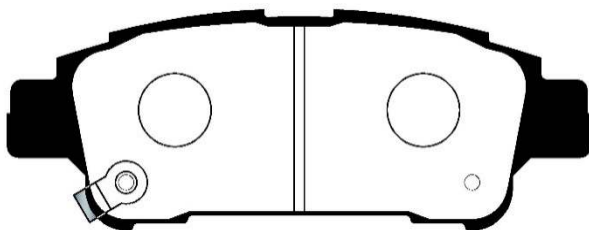
TOYOTA

DISC BRAKE PAD

<p>2180 603K</p>	<p>FRONT Z-17.0mm</p>	<p>983 2603</p>	<p>2183M 634WK</p>	<p>FRONT Z-16.5mm</p>	<p>963 2726</p>
 <p>FD2840 SP1272,WVA 23864,23526 PF-1430 DB1431 MK2180 SP1272 FMSI D817 X-117.5 ,Y-58.5 , Z-17.0 GDB3316 NOT IN SCALE</p>			 <p>GDB 3242,7075,861 WVA 23510,23511,23512 FMSI D882,D846 DB1422 SP1232 FD2173M X-116.5 ,Y-51.5 , Z-16.5 PF-1430 NOT IN SCALE SP1232</p>		
<p>CALDINA 1.8-ZZT241W 02- 2.0-AZT241W,246W 02-</p>			<p>COROLLA 1.5-NZE111,121G 00-01 1.6-ALTIS 00-01 1.8-ZZE124,124G ALION/PREMO-1.5 NZT240 01- VIOS 1.5</p>		<p>K2342 D2204M D2204M D2342 K2342</p>
<p>2186 606K</p>	<p>FRONT Z-17.5mm</p>	<p>2716</p>	<p>2187 604K</p>	<p>REAR Z-15.0mm</p>	<p>8039 2721</p>
 <p>PN-1434 X-137.0 ,Y-54.0 , Z-17.5 GDB7194 NOT IN SCALE</p>			 <p>GDB 3278,7874,8062 MK2187 WVA 23592 SP2042 FD2828 04466-47010 PN-1431 04466-32030,04466-32040 FMSI D0835 DB1434 X-82.8 ,Y-38.5 , Z-15.0 SP2042 NOT IN SCALE</p>		
<p>MARK II-CHASER/CRESTA/CRESSIDA 2.0-GX100 98-01</p>			<p>CALDINA 1.8-ZZT241W 02- 2.0-AZT241W,246W 02- CAMRY 2.4 AVC36 02-</p>		<p>D2166</p>

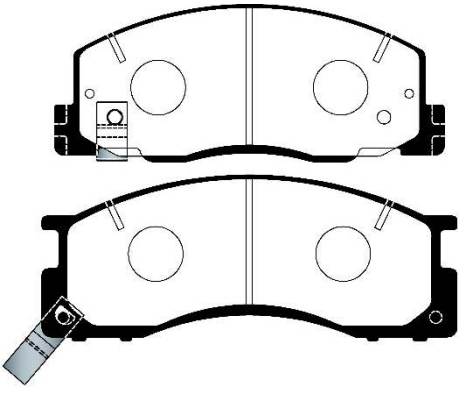
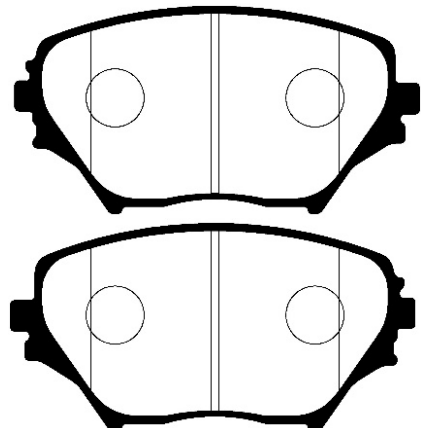
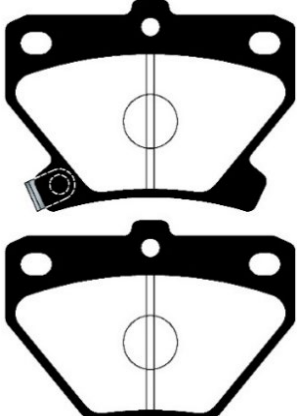
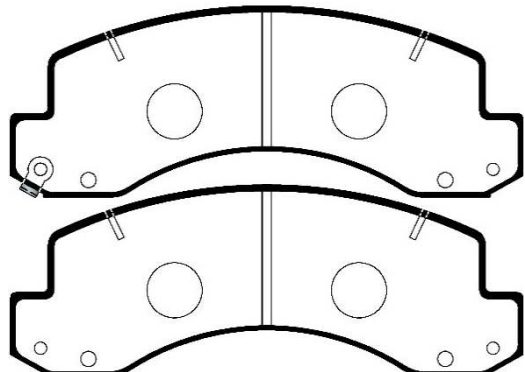
TOYOTA

DISC BRAKE PAD

<p>2188M 484WK</p>	<p>REAR Z-14.0</p>	<p>8038 2637</p>	<p>2193 636K</p>	<p>FRONT Z-17.5mm</p>	<p>8041 2506</p>
 <p>SP1457 DB 1680 U4466-42U10,U4466-42U20 FMSI D1051 WVA 23656,23657,23658 FD2814M X-78.4 ,Y-54.0 , Z-14.0 PN-1424 NOT IN SCALE GDB3279</p>			 <p>GDB 7199,7230 04465-20540 WVA 26454 FD2193 X-117.5 ,Y-58.5 , Z-17.5 PN-1442 NOT IN SCALE</p>		
<p>RAV4 SXA10W,11W</p>			<p>CROWN 2.0-GS100 00- 2.0-GS171W 01- 2.5-JZS171W 99-03 3.0-GRS202,203 08- 3.0-JZS175-179 99-03</p> <p>D2173M D2173M D2173M D2243M D2173M</p>		
<p>2197 638K</p>	<p>FRONT Z-17.0mm</p>	<p>8042 2748</p>	<p>2198M 639WK</p>	<p>REAR Z-16.5mm</p>	<p>8043 2746</p>
 <p>SP1591 DB 1752 GDB3248 FD2827 WVA 24522 PN-1448 X-116.7 ,Y-59.5 , Z-17.0 FMSI D1227 NOT IN SCALE</p>			 <p>SP1423 DB 1660 WVA 23646,23647,23648 PN-1449 X-112.5 ,Y-42.9 , Z-16.5 FMSI D995 NOT IN SCALE GDB3249</p>		
<p>ESTIMA 2.4-ACR30W,40W,AHR10W 02-05 3.0-MCR30W,40W 99-03</p> <p>D2198M D2198M</p>			<p>ESTIMA 2.4-ACR30W,40W,AHR10W 02-05 3.0-MCR30W,40W 99-03 ALPHARD 2.4,3.0-MNH10W,15W 02-</p> <p>D2197 D2197 D2223</p>		

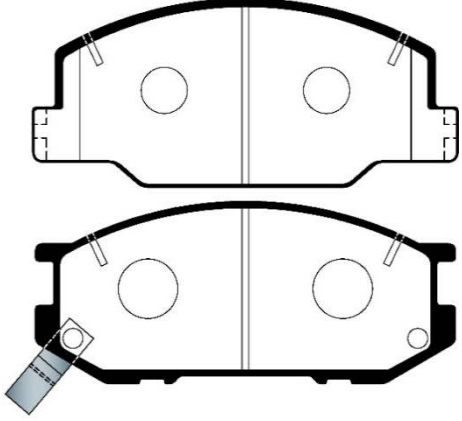
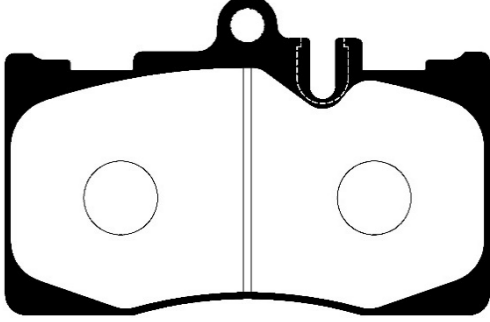
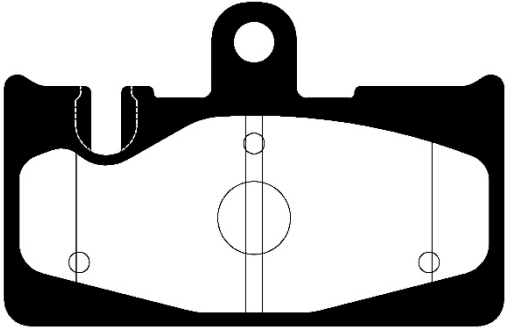
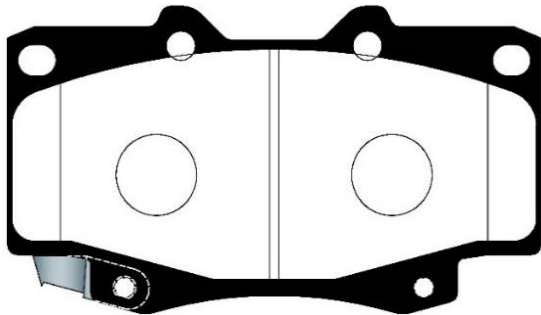
TOYOTA

DISC BRAKE PAD

<p>2201M 470WK</p>	<p>FRONT Z-15.5mm</p>		<p>2202 640K</p>	<p>FRONT Z-17.0mm</p>	<p>8062 2640</p>
 <p>X-128,4 ,Y-52,0 , Z-15.5 X-136,8 ,Y-54.5 , Z-16.5 PN-1503 NOT IN SCALE</p>			 <p>DB1432 WVA 23585,23586 SP1233 PN-1447 X-123,0 ,Y-57.0 , Z-17.0 FMSI-D862 NOT IN SCALE GDB3251</p>		
<p>LITEACE 2.2-CR52V KM80-85,CM80 96-02 2.2-CR42V,CM70,75 98-</p>			<p>RAV4 1.8-ZCA25W 00- 2.0-ACA20W,21W 00- 2.0 SXA11G</p> <p>K2333 D2188M</p>		
<p>2204M 635WK</p>	<p>REAR Z-14.0mm</p>	<p>964 2720</p>	<p>2207M 627WK</p>	<p>FRONT Z-20.0mm</p>	<p>8120 2441</p>
 <p>MK2204 FD2176 WVA 23521,23522,23523 PN-1454 X-78.5 ,Y-55.0 , Z-14.0 FMSI-D823 X-78.5 ,Y-52.0 , Z-14.0 SP2044 NOT IN SCALE GDB3243</p>			 <p>GDB7212 X-166,6 ,Y-64.0 , Z-20.0 NOT IN SCALE</p>		
<p>ALTIS 1.6,1.8 2001- COROLLA 1.8-ZZE122,123G VITZ 1.3 NCP 01- VIOS 1.5</p>			<p>DYNA BU306-425 BU280K HINO DUTRO 3700-BU301M YR99-05 4000-XZU314T YR03-</p>		

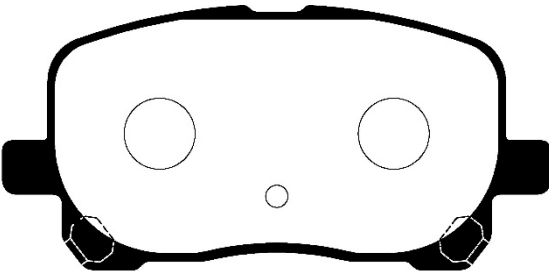
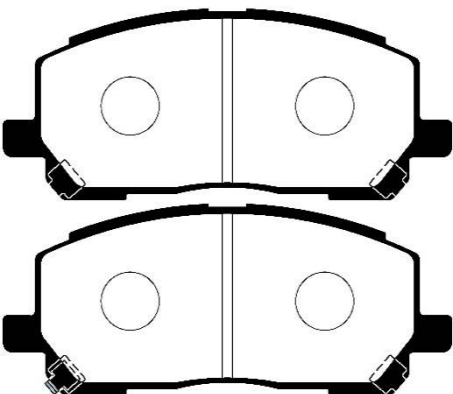

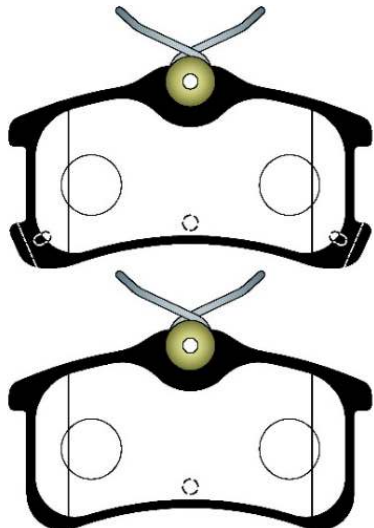
TOYOTA

DISC BRAKE PAD

<p>2210M</p>	<p>FRONT Z-15.5mm</p>		<p>2212 652K</p>	<p>FRONT Z-15,5mm</p>	<p>8058 2751</p>
 <p>X-127 ,Y-55.0 , Z-15,5 X-128,4 ,Y-57.0 , Z-15,5</p> <p>FMSI-D927 NOT IN SCALE</p>			 <p>WVA 23331 04465-50190 04465-50180,04465-50240 DB 1496 04465-50230,04465-50250 FMSI D870 X-118,8 ,Y-77,8 , Z-15.5 GDB 3322 NOT IN SCALE</p>		
<p>CELICA RA60,61,SA63 YR-81- AA63,RA63-YR81- CRESSIDA LX71,MX72,LX70 84-88 GX71,MX73 84-88</p>			<p>CELSIOR(JAPAN) 4,0 UCF30,UCF31 YR2000 LEXUS LS430 YR2001-2006</p>		
<p>2213 DB1497</p>	<p>REAR Z-15.0MM</p>	<p>8136 2752</p>	<p>2215M</p>	<p>FRONT Z-17.0mm</p>	<p>8256 2205</p>
 <p>GDB 3323 WVA 23804 04466-50100,04466-50091 SP1772 04466-50120,04466-50090 DB 1497 X-96 ,Y-62 , Z-15.0 FMSI D871 NOT IN SCALE</p>			 <p>GDB 3428,3213,7222 WVA 21679,21680 DB 1739 X-119.4 ,Y-68.0 , Z-17.0 FMSI D799 NOT IN SCALE SP1375</p>		
<p>CELSIOR(JAPAN) 4,0 UCF30,UCF31 YR2000 LEXUS LS430 YR2001-2006</p>			<p>HILUX VIGO 4WD KUN25 2004- K2395</p>		

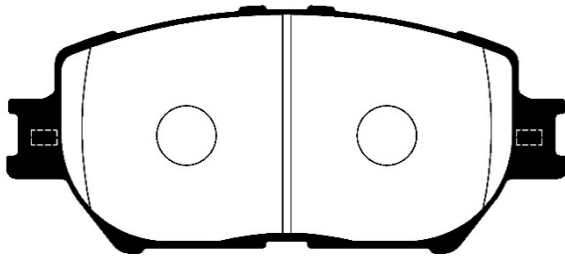
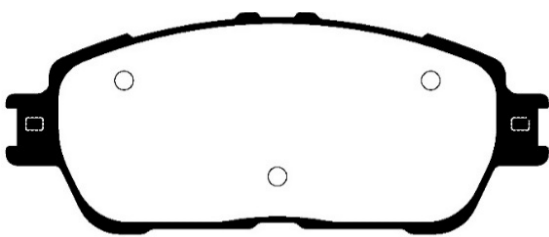
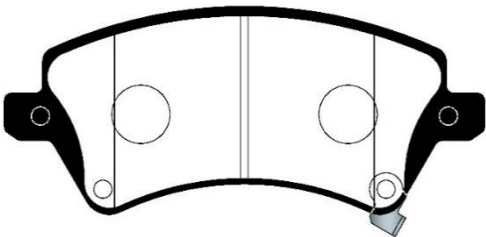
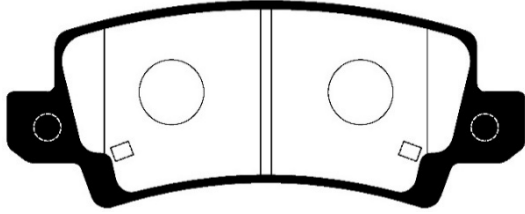
TOYOTA

DISC BRAKE PAD

<p>2217 667K</p>	<p>FRONT Z-17.0mm</p>	<p>8192 2770</p>	<p>2218 658K</p>	<p>FRONT Z-18.5mm</p>	<p>DB1488 2457</p>
 <p>GDB 3315,7218,8074 SP1373 WVA 23836,23862 DB 1487 X-123.0 ,Y-59.5 , Z-17.0 FMSI D923 NOT IN SCALE</p>		 <p>GDB3286 DB1488 SP1384,WVA 23703 PN-1457 X-139.0 ,Y-59.5 , Z-18.5 FMSI-D884 NOT IN SCALE</p>			
<p>ESTIMA 2.4-AR10W 03-06 IPSUM 2.4-ACM21W,26W 01- VOLT-1.8 ZZE136-138 02-04 VOXY-2.0 AZR60G 01-07</p>		<p>KLUGER-V 2.4-ACU20W,25W 00- 3.0-MCU20,25W 00- 2219/2250 2219/2250</p>			
<p>2219 635K</p>	<p>REAR Z-15.0mm</p>	<p>8067 2740</p>	<p>2220</p>	<p>REAR Z-14,5mm</p>	
 <p>FMSI D885 MK2219 GDB 3374,7628,7647,8987 FD2823 WVA 23702 PF-1456 X-93.0 ,Y-38.0 , Z-15.0 DB1463 NOT IN SCALE</p>		 <p>PN1220 X-87,1 ,Y-40,2 , Z-14.5 NOT IN SCALE</p>			
<p>CAMRY 2.0-ACV31 01- 2.4-ACV30,35 01- CALDINA 2.0 ST246 02-</p>		<p>AVENSIS 1600CC-ZZT220L YR 91-03</p>			

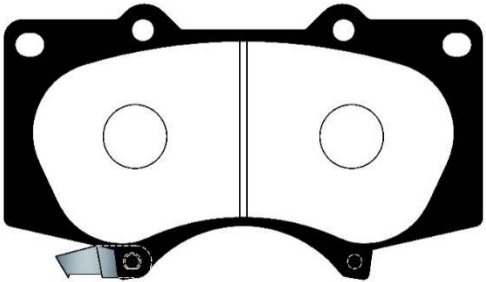
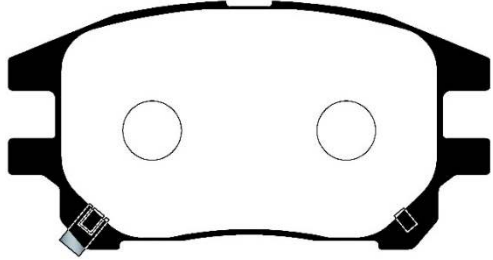
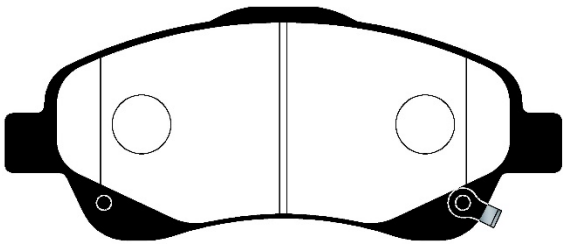
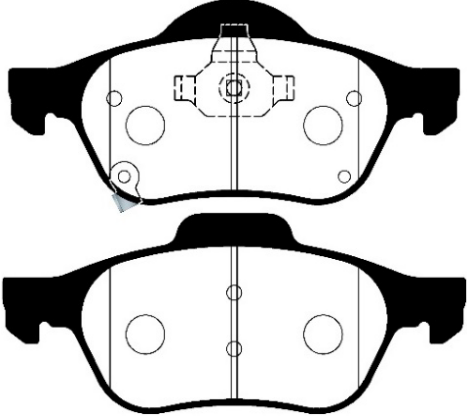
TOYOTA

DISC BRAKE PAD

<p>2222 671K</p>	<p>FRONT Z-17.5mm</p>	<p>8066 2739</p>	<p>2223 670K</p>	<p>FRONT Z-16.0mm</p>	<p>8217 2639</p>
 <p>SP2037 GDB 7224,3314,3628 MK2222 WVA 23928,23806 FD2817 FMSI D908,D1052 PN1479 X-131.5 ,Y-58.5 , Z-17.5 DB1462 NOT IN SCALE</p>			 <p>GDB 7677 SP1372 04465-08030,04465-33350 DB1490 WVA 23855 PN-1480 X-143.5 ,Y-58.5 , Z-16.0 FMSI D906 NOT IN SCALE</p>		
<p>CAMRY-VISTA 2.0,2.4-ACV30,35 ACV31 01- CROWN 2.5-GRS180,181 03-08 WISH 1.8</p>		<p>D2219 D2219 D2219</p>	<p>ALPHARD 2.4-ANH10W,15W 02-08 3.0-MNH10,15W 02-08 CALDINA 2.0-ST246W 02- ESTIMA 2.4-ACR30W,40W 03-06 3.0-MCR30W,40W 03-06</p>		<p>D2198M D2198M</p>
<p>2224M</p>	<p>FRONT Z-16,5mm</p>	<p>8191</p>	<p>2227</p>	<p>REAR Z-14,5mm</p>	<p>8235 2777</p>
 <p>GDB3288 04465-02130,04465-02150 04465-02061,04465-02100 SP1502 WVA 23766,23767,23818,23819 FMSI D1215 X-131.6 ,Y-57 , Z-16.5 PN1224 NOT IN SCALE</p>			 <p>GDB3289 PN1827 04466-02040 FMSI D1216 WVA 23816 DB 1920 X-95,6 ,Y-38.0 , Z-14.5 SP1503 NOT IN SCALE</p>		
<p>COROLLA (JPN) 1,3/1,6/1,4D/2,0D YR2006- FIELDER (USA) YR2002-</p>			<p>COROLLA (JPN) 1,3/1,6/1,4D/2,0D/2,2D YR2006- COROLLA (EUR) 1,8 VVT-i 2,0 D4 D YR2002- FIELDER (USA) YR2002-</p>		

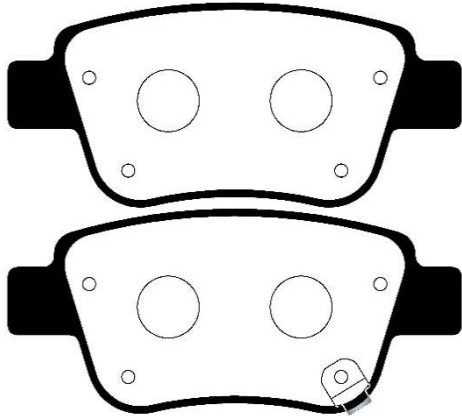
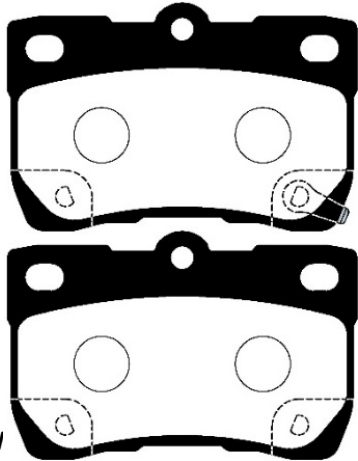
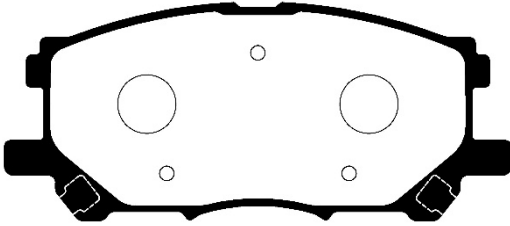
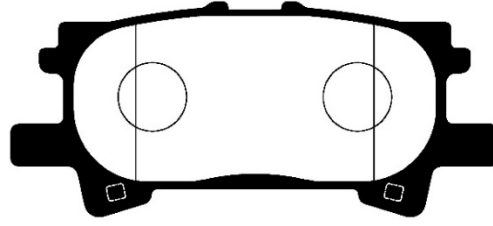
TOYOTA

DISC BRAKE PAD

<p>2228M 690WK</p>	<p>FRONT Z-16.5mm</p>	<p>8218 2482</p>	<p>2232 678K</p>	<p>FRONT Z-17.0mm</p>	<p>8157 2747</p>
 <p>SP2033 GDB 3364,7652 DB 1482 WVA 24024,24025,24026 PN-1480 X-134.6 ,Y-77.0 , Z-16.5 FMSI D976 NOT IN SCALE</p>		 <p>GDB 3379,7684 SP1967 04465-48040,04465-48050 FMSI D930 WVA 23929 PN-1481 X-114.6 ,Y-59.5 , Z-17.0 DB 1494 NOT IN SCALE</p>			
<p>HILUX 2.7-RZN210,215W 02-04 3.0KDN215W,210W 02-05 LANDCRUISER PRADO 2.7-RZJ125W 02-04 3.0/3.4-KDJ120W 02-05</p>		<p>LEXUS RX300 -ALL MDL 2002- HARRIER 2.4-ACU10W,15W 01-03</p>			
<p>2233M</p>	<p>FRONT Z-17,5mm</p>	<p>8360 2798</p>	<p>2236M</p>	<p>FRONT Z-17,5mm</p>	<p>8299 2784</p>
 <p>GDB 3336 04465-05270,04465-05170 WVA 23479,23480,23481,23768 PN1233 X-151,0 ,Y-63.0 , Z-17.5 SP1576 NOT IN SCALE</p>		 <p>WVA 23996,23998,24009 X-155,0 ,Y-71,1 , Z-17.5 PN1236 X-156,4 ,Y-68,4 , Z-17.5 SP1574 NOT IN SCALE</p>			
<p>AVENSIS (JPN) 2,0,2,4-AZT251/251W 2005- COROLLA (EUR) 1,6-1,8 VVT-i,2,0 D4-D SPORT YR2004 AVENSIS (EUR) 1,6 VVT-i,1,8/2,0/2,0D/2,2D YR03-09</p>		<p>AVENSIS 1,8,2,0 VVT-i.D4-D YR2000-</p>			

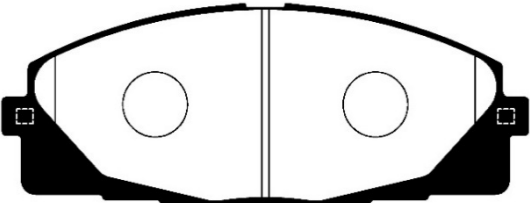
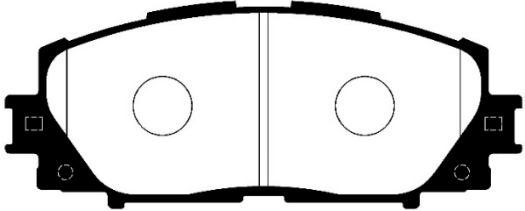
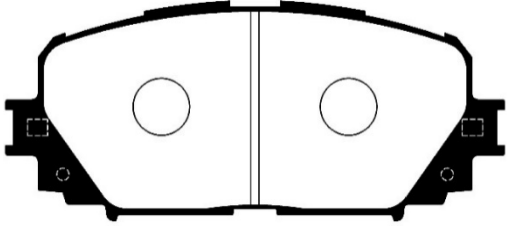
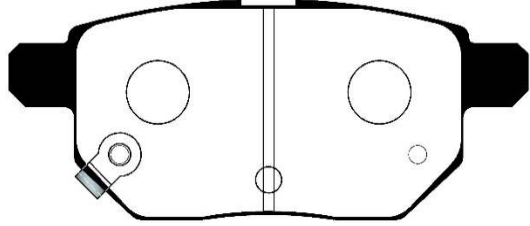
TOYOTA

DISC BRAKE PAD

<p>2239M 709WK</p>	<p>REAR Z-15.0mm</p>	<p>8361 2749</p>	<p>2243M</p>	<p>FRONT Z-15.5mm</p>	<p>DB1854 2782</p>
 <p>PN1239 GDB 3337,3456,7791 SP2184 WVA 23620,23621,23622 DB 1914 X-102.0 ,Y-46.0 , Z-15.0 GDB3456 NOT IN SCALE</p>		 <p>GDB3399,7231 04466-YZZAG 04466-22190 04466-30240 PN-1494 V DB 1854 04466-30210,04466-30230 FMSI D1113 X-88.1 ,Y-58.0 , Z-15.5 SP2083 NOT IN SCALE</p>			
<p>ALPHARD/VELLFIRE 2.4-ANH20,25W 08- 3.5-GGH20W,25W 08- ESTIMA 3.5-GSR50,55W 06- ALTIS 1.8,NZE141,144 06-</p>		<p>CROWN 3.0-GRS182,183 03- 3.0-GRS202,203 08- 3.5-GRS184 2005-</p>			
<p>2249 687K</p>	<p>FRONT Z-17.0mm</p>	<p>8249 2753</p>	<p>2250 688K</p>	<p>REAR Z-15.5mm</p>	<p>8260 2783</p>
 <p>PN-1497 GDB 3338,3397,8110 FMSI D1005 DB 1517 WVA 23734,23989 GDB3338 04465-0W070,04465-48100 SP1456 X-141.0 ,Y-59.5 , Z-17.0 NOT IN SCALE</p>		 <p>PF-1498 GDB 3339,8097 DB 1518 WVA 23967 SP1385 X-101.8 ,Y-43.8 , Z-15.5 FMSI D996 NOT IN SCALE</p>			
<p>HARRIER 2.4-ACU30,35W 03- 3.0-MCU30,31,35,36 03-06 3.3-MHU38W 2005- 3.5-GSU30,31,36,36W 06- KLUGER V 3.3 MHU28W 05-07</p>		<p>HARRIER 2.4-ACU30,35W 03- 3.0-MCU30,31,35,36 03-06 3.3-MHU38W 2005- 3.5-GSU30,31,36,36W 06- K2321</p>			

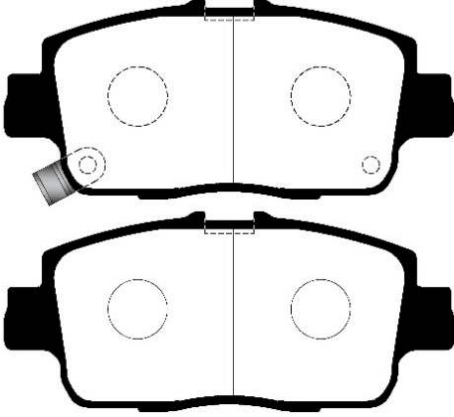
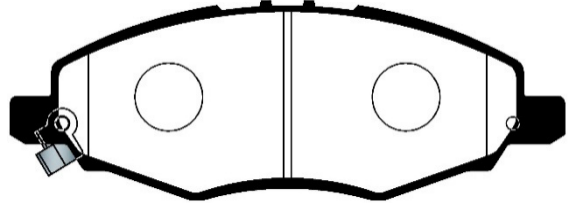
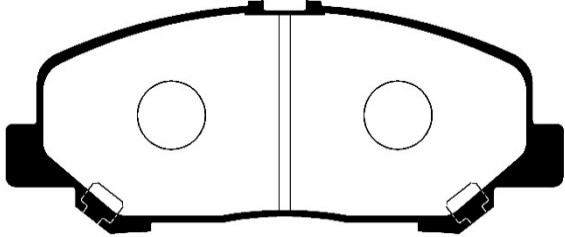
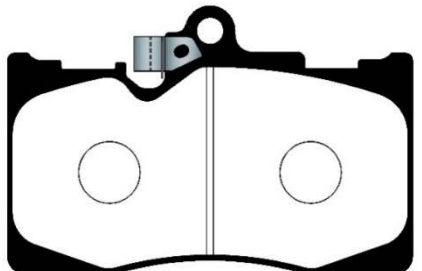
TOYOTA

DISC BRAKE PAD

<p>2251</p>	<p>FRONT Z-15.5mm</p>	<p>8295 2608</p>	<p>2252 714K</p>	<p>FRONT Z-17.0mm</p>	<p>8292 2764</p>
 <p>PN1516 04465-26420 GDB 3485,7693 FMSI D1434 WVA 24680 GDB3485 DB 1772 SP1376 X-145.4 ,Y-56.0 , Z-15.5 WVA 24680 NOT IN SCALE</p>			 <p>04465-52260 FMSI D1184 GDB3459,3460,7706 SP1377 WVA24347 DB 1820 X-122.8 ,Y-49.0 , Z-17.0 PN1508 NOT IN SCALE</p>		
<p>HIACE 2.5-KDH200,205,220,225 04- 2.7-TRH205,214,219,223,224 04- 3.0-LH222 2004-</p>		<p>K2378</p>	<p>COROLLA (AXIO) NZE161 YR2004 YARIS/ECHO NCP90,91,92,93(E,G,J) NCP130,131 YR2008 VIOS 1.3SALOON(SCP92) YR06</p>		<p>K2383 K2383 K2383 K2342</p>
<p>2253</p>	<p>FRONT/REAR Z-17.0mm</p>	<p>8332</p>	<p>2254M</p>	<p>FRONT Z-14.5mm</p>	<p>8293 2764</p>
 <p>PN1518 GDB3460 D1628 WVA 24708 DB 1785 X-122.7 ,Y-54.3 , Z-17.0 SP1588 NOT IN SCALE</p>			 <p>PN1519 FMSI D1354 FMSI D1423 GDB 3454,7729 GDB3454,7729 WVA 24610,24611,24612 DB1786 X-98.6 ,Y-43.0 , Z-14.5 SP2094 NOT IN SCALE</p>		
<p>YARIS/ECHO NCP150 YR2007 NCP91RS YR2005 VIOS 1.5 SALOON(NCP93) VITZ NCP91RS</p>			<p>VIOS 1.5G VITZ NCP91RS</p>		<p>K2321</p>

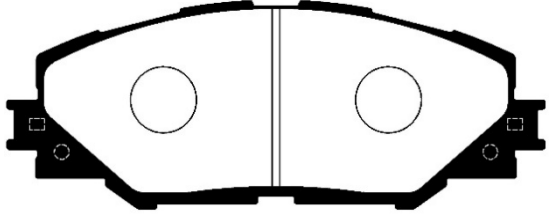
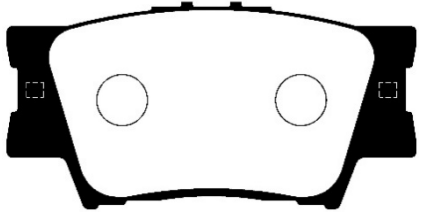
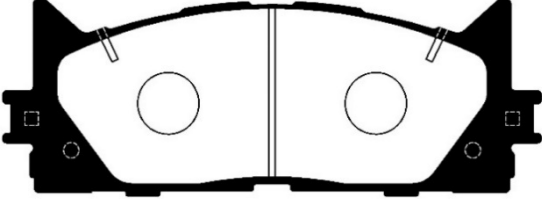
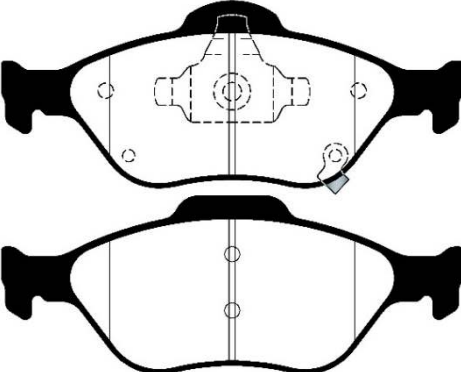
TOYOTA

DISC BRAKE PAD

<p>2257M</p>	<p>FRONT Z-16.0MM</p>	<p>8282 2735</p>	<p>2260M</p>	<p>FRONT Z-16,5MM</p>	<p>8282 2735</p>
 <p>PN1540 SP1555 WVA 25510,23511,23904,23905 D1249 X-116.6 ,Y-47.0 , Z-16.0mm NOT IN SCALE</p>			 <p>PN1831 04465-OK100,OK130,OK040,OK110 GDB3427,7702,SP1412,WVA 24523,24633,24634 SP1412 X-146,7 ,Y-48,5 , Z-16.5 DB 1751 NOT IN SCALE</p>		
<p>YARIS VERSO NLP20 YR1999-2005 NLP22 YR1999-2005</p>		<p>K2342</p>	<p>INOVA INDONESIA MODEL YR2004- HILUX VIGO KUN 2,5 4X4 YR2004-</p>		
<p>2265 735K</p>	<p>FRONT Z-17.5mm</p>	<p>8374 2771</p>	<p>2266M 731WK</p>	<p>FRONT Z-17,0mm</p>	<p>8363 2521</p>
 <p>PN1527 GDB 3455,7733 GDB3445 WVA 24601 SP2183 FMSI D1524 X-147.8 ,Y-61.0 , Z-17.5 WVA 24601 NOT IN SCALE DB1913</p>			 <p>GDB3398 GDB7708 GDB8128 PN1547 SP1773 FMSI D1586 WVA 20325,24396,25383 DB2255 04465-30450,04465-30500 FMSI D1118 X-118,6 ,Y-78.0 , Z-17.0 GDB3398 NOT IN SCALE WVA 24965,25047</p>		
<p>ALPHARD/VELLFIRE 2.4 ANH20W,25W 5/2008 3.5-GGH20W 5/2008 ESTIMA 2.4-ACR50W,55W,AHR20W 06- 3.5-GSR50W,55W 2006-</p>			<p>LEXUS GS350,GS430,450H,460 YR2007 IS350,GX470 YR2010 MARK X 3,5 GRX133 YR2009- CROWN 3,5-GRS204,GWS204 YR2008- 3,5-GRS184 YR2005- 4,6 URS206 YR2009-</p>		

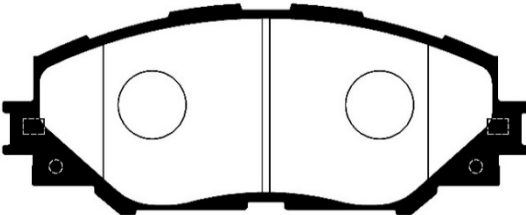
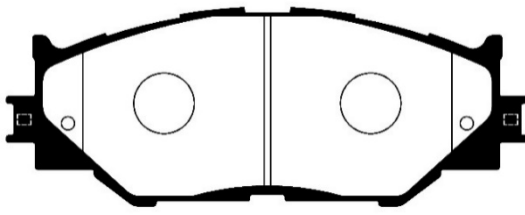
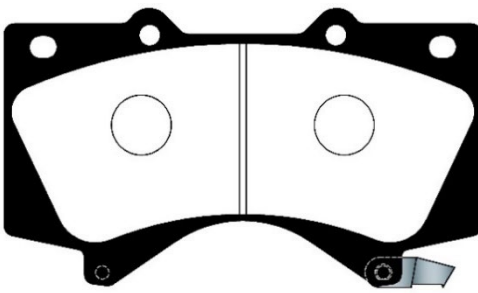
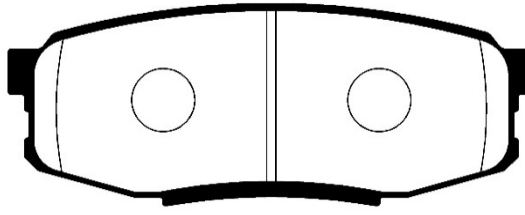
TOYOTA

DISC BRAKE PAD

<p>2268 732K</p>	<p>FRONT Z-17.5mm</p>	<p>8365 2773</p>	<p>2269 733K</p>	<p>REAR Z-15.5mm</p>	<p>8309 2772</p>
 <p>FMSI D2165 GDB 3424,7764,8106 DB 1801 WVA 24337 FMSI D1211 X-146.7 ,Y-57.0 , Z-17.5 GDB3424 NOT IN SCALE SP2138</p>		 <p>GDB3426,7714 DB 1832 WVA 24338,25539 FMSI D1212 X-96.9 ,Y-49.2 , Z-15.5 PN1522 NOT IN SCALE SP2081</p>			
<p>RAV4 2.4 ACA31W,36W 2005- MARK X ZIO 2.4-ANA10,15 9/2007 3.5 GGA10 9/2007 BLADE 3.5 GRE156H 2006 VANGUARD 2.4-ACA33W,38W 2007- 3.5 GSA33W 2007-</p>		<p>RAV4 2.4 ACA31W,36W 2005- MARK X ZIO 2.4-ANA10,15 9/2007 3.5 GGA10 9/2007 CAMRY-VISTA ACV40,45 2006- VANGUARD 2.4-ACA33W,38W 2007- 3.5 GSA33W 2007- SAI-2.4 AZK10 2009-</p>			
<p>2270</p>	<p>FRONT Z-17.5mm</p>	<p>8308 2765</p>	<p>2271M</p>	<p>FRONT Z-17,0MM</p>	
 <p>04465-33450 FMSI D1222,D1293 PN1521 GSB3429,7713 SP2080 WVA 24350 DB 1800 X-157.7 ,Y-57.0 , Z-17.5 NOT IN SCALE</p>		 <p>WVA 23202,24022,24023,24952 X-151.2 ,Y-61.0 , Z-17.0 GDB 3625 X-150.1 ,Y-58.0 , Z-17.0 GDB3457 NOT IN SCALE</p>			
<p>CAMRY ACV40 2006- ACV45 2006-</p>		<p>D2269 D2269</p>	<p>BELTA (EUR) 1,0/1,3/1,5 YR2005- YARIS (EUR) 1,0/1,3/1,5/1,8/1,4D YR2005-</p>		

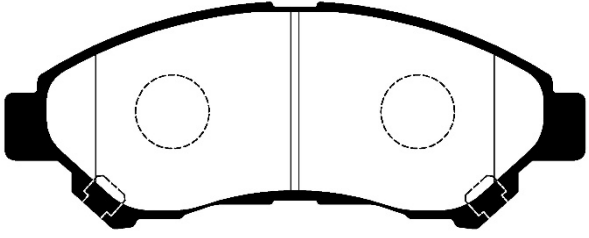
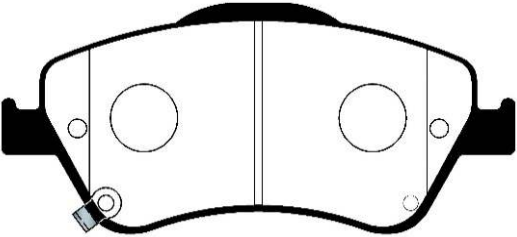
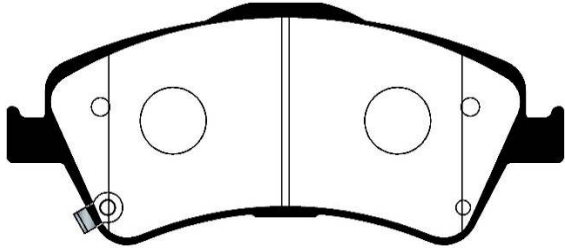
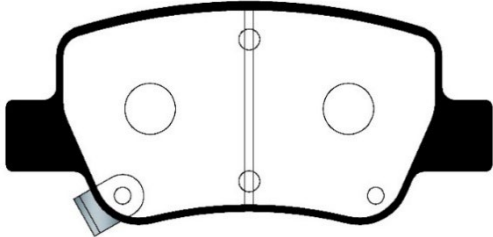
TOYOTA

DISC BRAKE PAD

<p>2274 742K</p>	<p>FRONT Z-17.5mm</p>	<p>8375 2780</p>	<p>2277</p>	<p>FRONT Z-17.0mm</p>	<p>8364 2502</p>
 <p>PN1524 DB 1802 WVA 24336 FMSI D1210 X-139.05 ,Y-55.9 , Z-17.5 GDB3425 NOT IN SCALES SP2093</p>			 <p>PN1829 04465-53020,53030 SP1543 GDB3410 FMSI D1178 WVA 23983 DB1852 X-154.7 ,Y-59.3 , Z-17.0 NOT IN SCALE</p>		
<p>ALTIS 1.8 06- COROLLA AXIO 1.5NZE141,144 2006- 1.8-ZRE 142,144 2006- COROLLA FIELDER 1.5-NZE141,144 2006- 1.8-142,144G 2006- VOXY-NOAHH 2.0 ZRR70G 2007- WISH 1.8,2.0 ZGE20,25G 09- IST-1.5NCP110,115 07-</p>			<p>LEXUS IS 2.5 GSE20 2005.8 2.5 GSE25 2005.8</p>		
<p>2278M 755WK</p>	<p>FRONT Z-18,0mm</p>	<p>8319 2387</p>	<p>2281 756K</p>	<p>REAR Z-17,5mm</p>	<p>8317 2388</p>
 <p>SP1381 DB 1838 GDB 3254,7763 DB1838 WVA 24386,24394,24395 PN-1541 X-143,6 ,Y-83.2 , Z-18,0 FMSI D1303 NOT IN SCALE WVA 24386</p>			 <p>WVA 24653,25721 GDB3491,7778 04466-0C010,04466-60120 DB 1857 04466-60160 DB1857 SP1382,WVA 24653 PN-1542 X-116,2 ,Y-44.5 , Z-17.5 FMSI D1304 NOT IN SCALE</p>		
<p>TUNDRA LANDCRUISER 4.6 URZ202W 05/2009 4.7 UZJ200W 09/2007</p>			<p>TUNDRA LANDCRUISER 4.6 URZ202W 05/2009 4.7 UZJ200W 09/2007</p>		

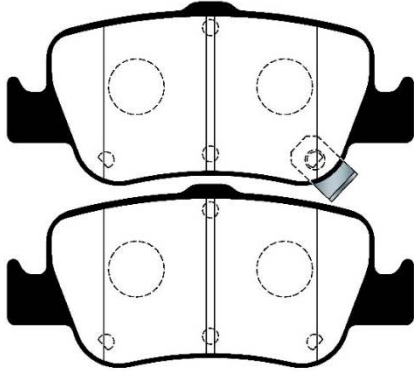
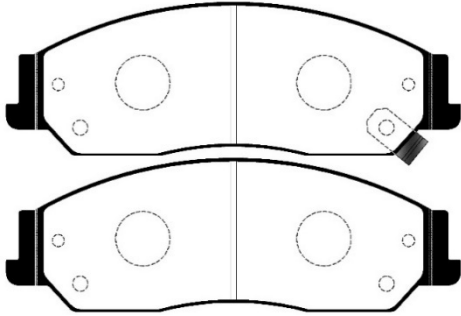
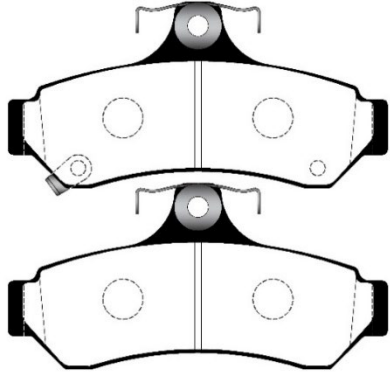
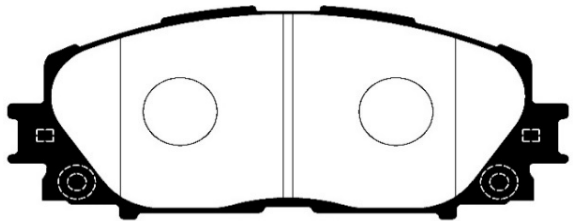
TOYOTA

DISC BRAKE PAD

<p>2282 758K</p>	<p>FRONT Z-15.5mm</p>	<p>8470</p>	<p>2286 8526</p>	<p>FRONT Z-18,0mm</p>	<p>8427 2790</p>
 <p>GDB7837 FMSI D1725 04465-BZ210,130 PN1847 X-141.8 ,Y-55.1 , Z-15.5 DB1958 NOT IN SCALE</p>			 <p>04465-02340,04465-02260 SP1500 04465-02330,04465-02210 DB 2230 WVA 24122,24590,24591,24121 GDB3481 X-136,8 ,Y-57,9 , Z-18,0 PN1834 X-136,8 ,Y-61,4 , Z-18,0 CD8526 NOT IN SCALE FMSI D1571</p>		
<p>TOWNACE / LITEACE 1500-S402M 2008- 1500-S402U 2008- 1500-S412M 2008- 1500-S412U 2008-</p>		<p>K2398</p>	<p>AURIS (EUR) 1,3/1,4/1,6/1,8 YR2006- 2,0 D-4D/2,2D YR2007- COROLLA (SOUTH AFRICA)</p>		
<p>2289M</p>	<p>FRONT Z-18.0mm</p>	<p>FD2847</p>	<p>2296M</p>	<p>REAR Z-15.5mm</p>	<p>FD2881</p>
 <p>PN1837 WVA 24690,24691,24203,24204 04465-02190 X-150.8 ,Y-65.5,0, Z-18.0 FMSI D1972 X-150.8 ,Y-62.5 , Z-18.0 NOT IN SCALE</p>			 <p>04466-05040 WVA 24885,24886,24887 SP1578 X-109.0 ,Y-49.7 , Z-15.5 PN1838 NOT IN SCALE</p>		
<p>AURIS AVENSIS III VERSO</p>			<p>AVENSIS III</p>		

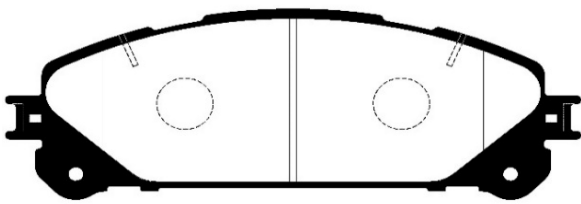
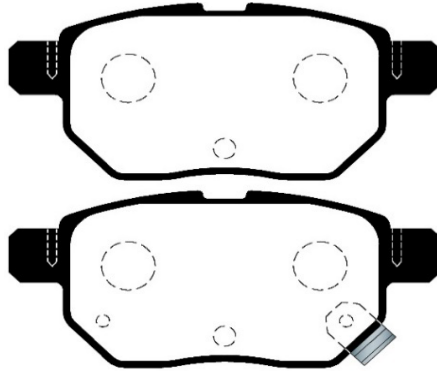
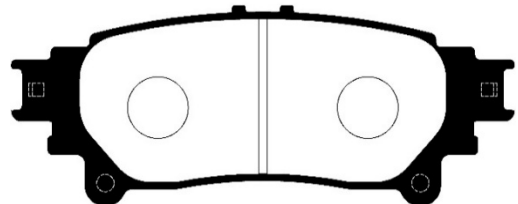
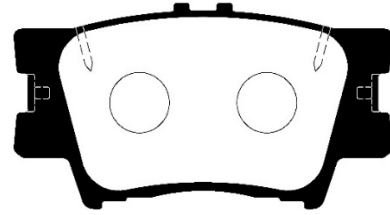
TOYOTA

DISC BRAKE PAD

<p>2299 8553</p>	<p>REAR Z-16,0MM</p>	<p>2791</p>	<p>2304M 21474</p>	<p>FRONT Z-17.0mm</p>	<p>1474</p>
 <p>PN1835 04466-02292,04466-02290 SP1501 WVA 24664,24665,24666 DB 2231 WVA 24664,24665 GDB3480 X-102,2 ,Y-45.9 , Z-16,0 FMSI D1572 NOT IN SCALE</p>			 <p>PN0828 FMSI D1726 GDB 3614,7831 04465-06090 DB 1474 WVA 25610,25611,25612 SP1235 X-151.0 ,Y-51.0 , Z-17.0 GDB7654 NOT IN SCALE WVA 25610</p>		
<p>AURIS (EUR) 1,3/1,4/1,6/1,8 YR2006- 2,0 D-4D/2,2D YR2007- COROLLA (SOUTH AFRICA)</p>			<p>CAMRY ACV36</p>		
<p>2307MH 21475</p>	<p>REAR Z-16.0mm</p>	<p>1475 2509</p>	<p>2315 AN764K</p>	<p>FRONT Z-15.0mm</p>	<p>DB2159</p>
 <p>PN0829 DB1475 04466-06080 WVA 25599,25600,25601 SP1236 X-114.0 ,Y-56.5 , Z-16.0 GDB7759 NOT IN SCALE FMSI D1727</p>			 <p>GDB4173,7943 04465-47060,47070,47080 PN0540 WVA 24451 DB2159 X-122.6 ,Y-45.5 , Z-15.0 SP1377A NOT IN SCALE</p>		
<p>CAMRY ACV36</p>			<p>AQUA 1500-NHP10 2011- PRIUS-PRIUS ALPHA 1500-ZVW30 2009- 1800-ZVW30,ZVW35 2009-</p>		

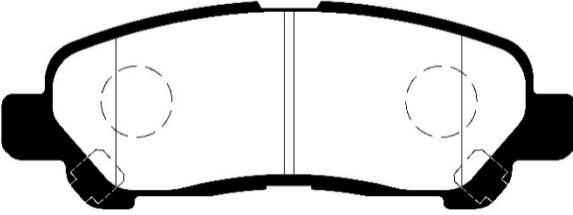
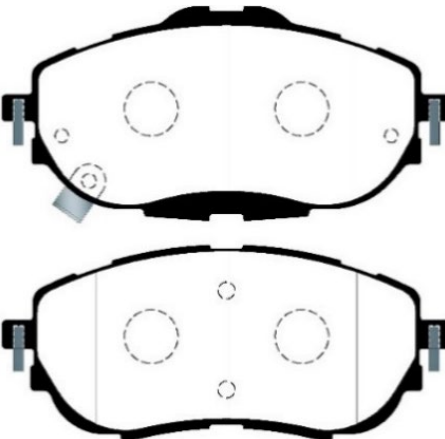
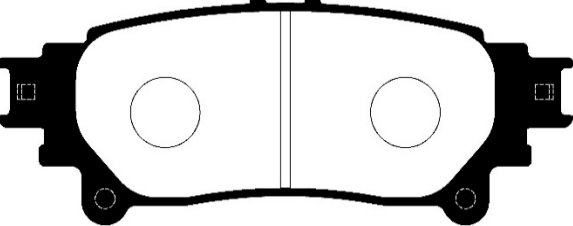
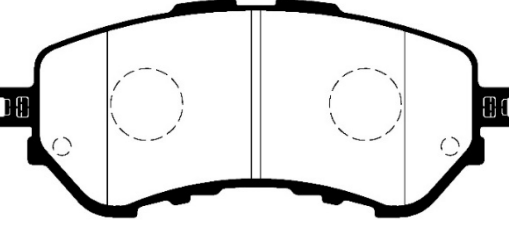
TOYOTA

DISC BRAKE PAD

<p>2316</p>	<p>FRONT Z-17.6mm</p>	<p>8491 2505</p>	<p>2323M AN716WK</p>	<p>REAR Z-14.5mm</p>	
 <p>FD2867 DB-2004 FMSI-D1324 GDB 3484,7779,7828 SP2137 04465-48160,04465-48150 04465-48190,04465-48210 WVA-24452 04465-0E010,04465-48170 04465-48150 X-166.7 ,Y-59.4 , Z-17.6mm PN1845 NOT IN SCALE</p>			 <p>GDB 1958 FMSI D1423 WVA 25016,25017,25018 X-98.5 ,Y-42.5 , Z-14.5 NOT IN SCALE</p>		
<p>LEXUS -RX350 3500cc-DBA-GGL;10W,15W,16W 09- 3500cc-GYL15 YR09- RX270 RX400H SIENNA</p>			<p>PRIUS-PRIUS ALPHA 1800-ZVW30 YR 2009-</p>		
<p>2326</p>	<p>REAR Z-15.2mm</p>	<p>8531 2504</p>	<p>2327 733K</p>	<p>FRONT Z-15.0mm</p>	
 <p>WVA-24918 GDB4174 04466-30310 FMSI-D1391-8500 PN1846 DB2245 X-115.2 ,Y-45.6 , Z-15.2mm SP1458 NOT IN SCALE</p>			 <p>FMSI D1212 X-97.0 ,Y-49.2 , Z-15.0 FMSI D1632 NOT IN SCALE DB-1832 LEXUS ES 2400-ACV40 ES240 YR2005- 3500 -GSV40 ES350 YR2006 AVALON 3500-GSX30 YR2007 CAMRY -AURION ACV40 HYBIRD YR05-06 HARRIER 2000-ZSU60W,65W YR12 MARK X ZIO ANA10,15,GGA10 YR2009 RAV4-ACA33W,38W YR08-</p>		
<p>LEXUS -RX350 3500cc-DBA-GGL;10W,15W,16W 09- 3500cc-GYL15 YR09- RX270 RX400H SIENNA</p>					<p>04466-06060 04466-06070 04466-06090 04466-06100 04466-06210 04466-75010</p>

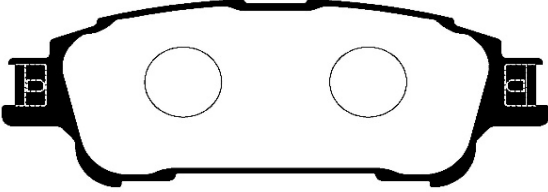
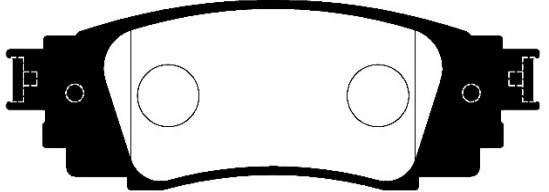
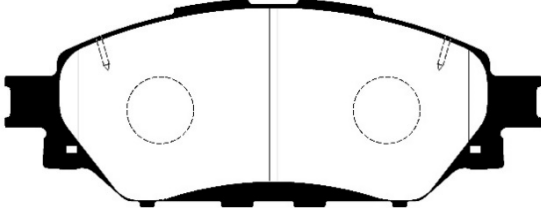

TOYOTA

DISC BRAKE PAD

<p>2492 2328</p>	<p>REAR Z-15.5mm</p>	<p>8492 2503</p>	<p>2330M</p>	<p>FRONT Z-18.0mm</p>	
 <p>PN1848 GDB7780 FMSI 8437-D1325 SP2136 WVA 25481 MD8627 04466-0E020,04466-48120 FMSI D1325 X-113.0 ,Y-40,8 , Z-15.5mm DB 2005 NOT IN SCALE</p>			 <p>PN21001 WVA 25698,25699,25700 04465-02390 X-134.2 ,Y-63.6, Z-18.0 GDB3598 X-134.2 ,Y-57.2,Z-18.0 FMSI D1964 NOT IN SCALE</p>		
<p>LEXUS -RX350 3500cc-DBA-GGL;10W,15W,16W 10- 3500cc-GYL15 YR10-</p>			<p>COROLLA YR2013 AURIS YR2012</p>		
<p>2329</p>	<p>REAR Z-16.5mm</p>	<p>DB2245</p>	<p>2560 2343</p>	<p>FRONT Z-17.0mm</p>	<p>8560 DB2261</p>
 <p>GDB 7854,7989,8979 WVA 22253,25525 DB2245 X-115.2 ,Y-45.6 , Z-16.5mm PN1846 NOT IN SCALE</p>			 <p>GDB7902-7728 PN21004 04465-0D150-160 SP1780 WVA 25823 MK-2343 X-122 ,Y-48.5 , Z-17.0mm FMSI D1950 NOT IN SCALE</p>		
<p>LEXUS GS 2000cc-APL10 YR2017 3500cc-GRL16 YR2017 IS 2000cc ASE30 YR2017</p>			<p>VIOS YR2013 YARIS 1300-NCP151L-AHMRKM YR2013 1200-NSP152R-AHXRKT YR2013</p>		

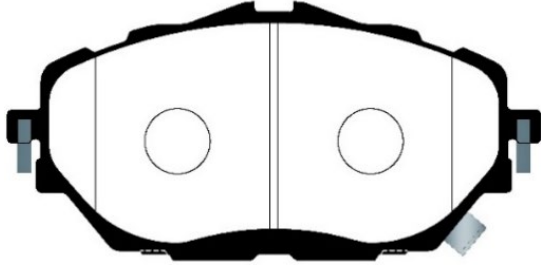
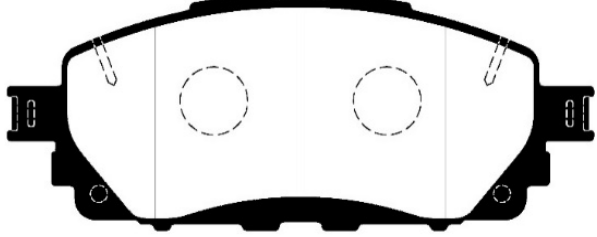
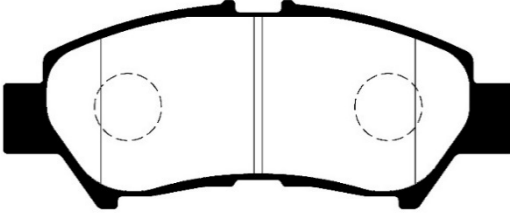
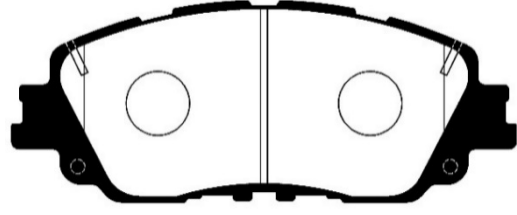
TOYOTA

DISC BRAKE PAD

<p>2344</p>	<p>REAR Z-16.0mm</p>		<p>2349 D1879</p>	<p>REAR Z-14.5mm</p>	<p>DB2469</p>
 <p>MK-D2344H 04466-28120,04466-28140 PN1804 X-112.5 ,Y-43.0 , Z-16.0mm NOT IN SCALE</p>			 <p>GDB 2183,8161,8968 SP4091 WVA 22434,22981 04466-0E060,04466-33220,04466-48160 FMSI D1879 X-121.0 ,Y-42.7 , Z-14.5mm PN1854 NOT IN SCALE</p>		
<p>NOAH/VOXY 2000CC-ZRR80-YR2014-2021 2000CC-ZRR85-YR2014-2021</p>			<p>CAMRY 2000-ASV71 YR2018 2500-ASV70 YR2016 2500 AXVH70 YR2017 LEXUS UX200 2000-MZAA10 YR2018 UX250H 2000-MZAH10 YR2018</p>		
<p>2354</p>	<p>FRONT Z-15.5mm</p>	<p>8636 DB2369</p>	<p>2349H FD1805</p>	<p>REAR Z-15.0mm</p>	<p>8631 DB2419</p>
 <p>PN1803 GDB2196,7996 WVA21310 04465-0K350,04465-0K420 FMSI D2006 X-144.6 ,Y-56.0 , Z-15.5 DB2369 NOT IN SCALE</p>			 <p>WVA22153 GDB4459 04466-58022 AN807K FMSI D1805 X-121.2 ,Y-42.9 , Z-15.0 04466-78010 NOT IN SCALE 04466-58021</p>		
<p>HILUX SURF 2800 GUN123R YR2015 HILUX VIGO 2400-TNU162 YR2015 2800-TNU162 YR2015 HILUX 2400 GUN123R YR2015 2800 GUN123R YR2015 REVO STD CAB 4X2 2.4J PLUS SWB,2.7J,2.8J PLUS YR2015ON</p>			<p>ALPHARD 2500-AGH30W YR2015 3500-GGH30W YR2015 VELLFIRE 2500-AGH30R YR2015 3500-GGH30W YR2015 LEXUS 2000-2500 AGZ15-YR2014 NX300H 2000-2500 ZGZ10.AYZ15 YR2014 HARRIER</p> <p>GDB4459</p>		

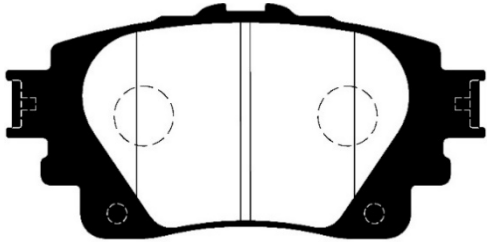
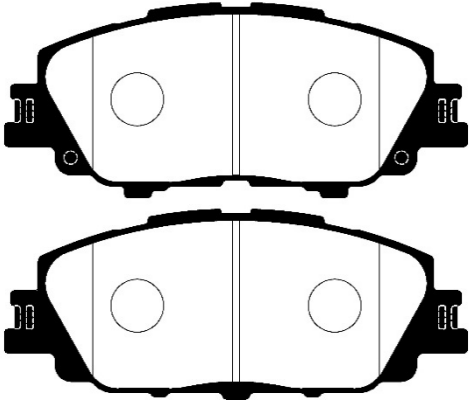
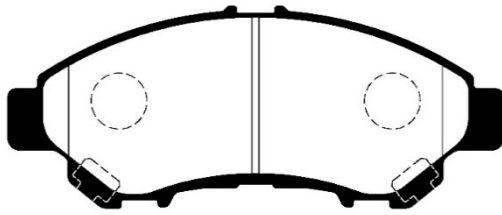
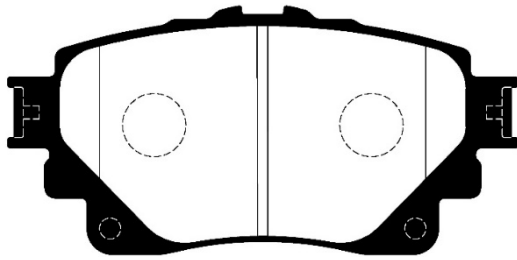
TOYOTA

DISC BRAKE PAD

<p>2357 D2065</p>	<p>FRONT Z-17.5mm</p>	<p>DB2479</p>	<p>2355 2911</p>	<p>FRONT Z-16.0mm</p>	<p>8637 DB2396</p>
 <p>FMSI D2065 04465-F4020,04465-F4010 PN1858 X-141.3 ,Y-62.8 , Z-17.5mm NOT IN SCALE</p>			 <p>GDB7996,8999 FMSI D2171 WVA 22643 SP4264 04465-0K430,04465-0K380 WVA22643 X-145.0 ,Y-56.0 , Z-16.0mm NOT IN SCALE</p>		
<p>C-HR 1200-NGX10 ,NGX10L,NGX50-YR2016 1800-ZGX11R-YR2018 1800-ZYX10 YR 2016 2000-ZGX10 YR2016 COROLLA 2000-MZEH12L YR2019</p>			<p>HILUX REVO SMART CAB 4X2 2.4G,4J 2015 ON DOUBLE CAB 4X2 4E,2.7E,2.4J PLUS HILUX (2400,2500cc) GUN122,KUN125 YR 2015 ON INNOVA (2000,2400cc) TGN140,141 YR 2015</p>		
<p>2361</p>	<p>FRONT Z-15.5mm</p>		<p>2360 D2076</p>	<p>FRONT Z-16.5mm</p>	<p>DB2449</p>
			 <p>WVA 27278 GDB 8160 04465-0E060,04465-33480 FMSI D2076 X-142.8 ,Y-56.0 , Z-16.5mm PN1857 NOT IN SCALE</p>		
<p>DB2434 04465-BZ230 PN6491 X-126.8 ,Y-49.8 , Z-15.5mm NOT IN SCALE</p>			<p>CAMRY 2000-ASV71 YR2018 2500-ASV70 YR2016 LEXUS UX200 2000-MZAA10 YR2018 UX250H 2000-MZAH10 YR2018</p>		
<p>CALYA 2000CC-B401 YR2016 DAIHATSU SIGRA (1000cc,1200cc) B400RS,B401RAS YR2016</p>					

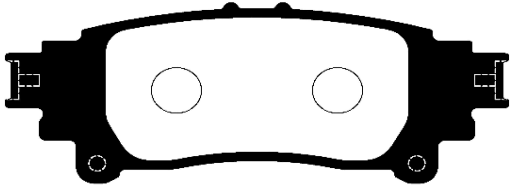
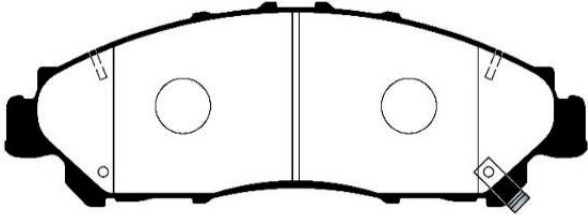
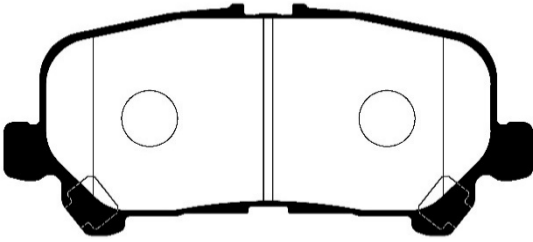
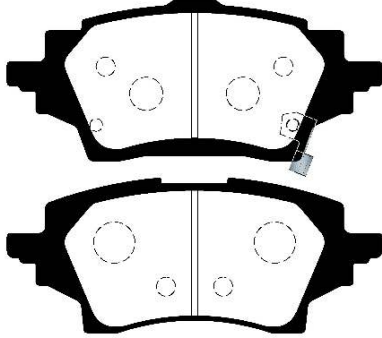
TOYOTA

DISC BRAKE PAD

<p>2366</p>	<p>REAR Z-15.0mm</p>	<p>DB2529</p>	<p>2364</p>	<p>FRONT Z-16.5mm</p>	
 <p>GDB3175 PN1865 04466-02390,04466-12160 FMSI D2183 X-103.6 ,Y-47.5 , Z-15.0mm NOT IN SCALE</p>			 <p>WVA26217,26218 FMSI D2176 X-139.5 ,Y-54.4 , Z-16.5mm 04465-12670 X-139.5 ,Y-55.4 , Z-16.5mm PN1866 NOT IN SCALE</p>		
<p>COROLLA ALTIS 1800CC-VVTI(E21) YR2019- 2000cc-M2EA12L-YR2019- VIOS 1500cc FWD SEDAN YR2023 ON VELOZ 1500CC-W101/151 YR2021-2022 AVANZA 1500CC-W10-YR2021-ON AURIS-1200,1800,2000cc YR2016-</p>			<p>COROLLA 2000-MZEA 12 YR2018- 2000CC-HATCHBACK YR2018- AURIS 2000-CC MZEA12 YR2018-</p>		
<p>2369</p>	<p>FRONT Z-16.0mm</p>		<p>2368</p>	<p>REAR Z-15.0mm</p>	
 <p>PN1859 04465-BZ250 FMSI D2286 X-142.0 ,Y-56.6 , Z-16.0 FD0302 NOT IN SCALE</p>			 <p>FMSI D2305 04466-30360,04466-02430 PN1868 X-103.6 ,Y-47.6 , Z-15.0 NOT IN SCALE</p>		
<p>RUSH 1500-2NR-VE YR2017 DAIHATSU TERIOS 1500-2NR-VE YR2017</p>			<p>HIGHLANDER 2500CC-AXUH78-YR2019 CROWN 2500CC-AZSH20-YR2020- SUZUKI ACROSS 2500CC-YR2020-</p>		

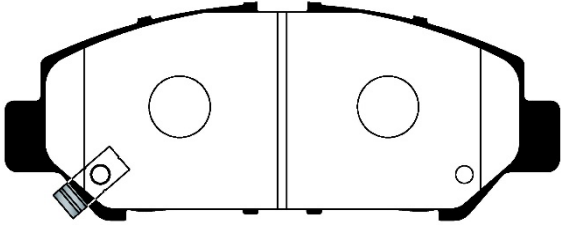
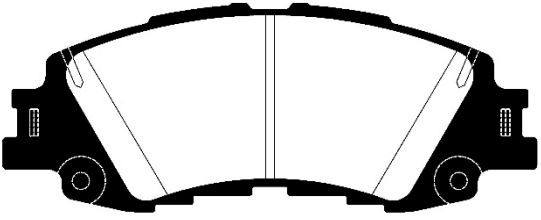
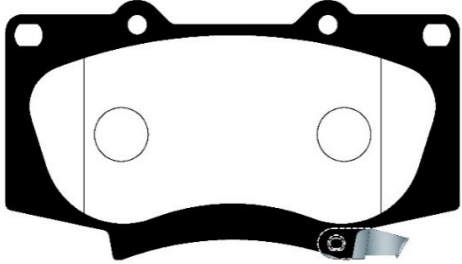
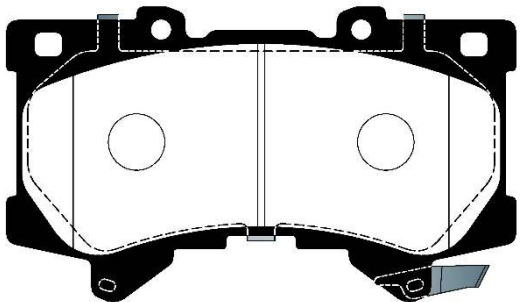
TOYOTA

DISC BRAKE PAD

<p>2370</p>	<p>REAR Z-15.2mm</p>		<p>2371M 18056</p>	<p>Z-18.0MM</p>	<p>DB2525</p>
 <p>OE 04466-30280,48130,30290 X-115.2 ,Y-45.6,Z-15.2mm NOT IN SCALE</p>			 <p>WVA 26209,26210,26211 FMSI D2268 04465-26440 PN1861 X-170.0 ,Y-59.2 , Z-18.0 MD18056 NOT IN SCALE</p>		
<p>FOURTUNER 2400-GUN155L/R 2016-2022- 2400cc-GUN 165L/R 2016-2022-</p>			<p>HIACE 2800cc-GDH332R -YR2019 COMMUTER DELUXE YR2019 GL GRANDIA YR2019</p>		
<p>2374</p>	<p>REAR Z-17.3mm</p>	<p>DB2526</p>	<p>2375M</p>	<p>REAR Z-15.8mm</p>	
 <p>WVA 25434 FMSI D2269 04466-26030 PN1862 X-113.4 ,Y-49.5,Z-17.3mm NOT IN SCALE</p>			 <p>WVA 26153,26154,26155 FMSI D2202 04466-F4010,04466-K0000 PN1867 X-118.3 ,Y-48.8 , Z-15.8mm WVA26153 X-118.3 ,Y-50.8 , Z-15.8mm WVA26154 NOT IN SCALE</p>		
<p>HIACE 2800cc-GDH332R -YR2019 COMMUTER DELUXE YR2019 GL GRANDIA YR2019</p>			<p>CHR 1800CC-ZYX11L YR2019- 2000CC-MAXH10L-YR2018- COROLLA ALTIS 1800CC-ZRE211L-YR2019- MAZDA 2 1500CC-KB YR2021-</p>		

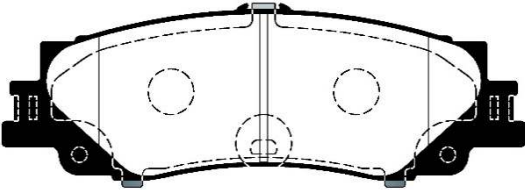
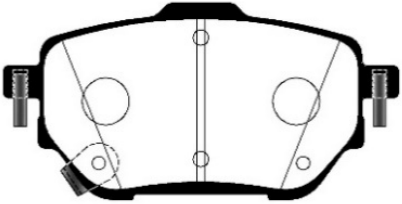
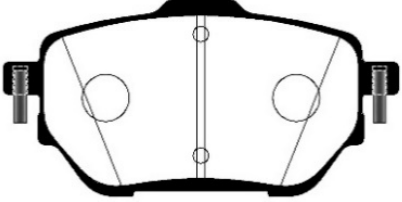
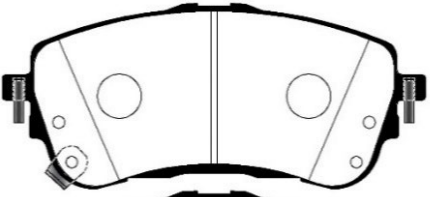
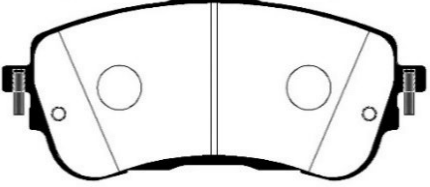
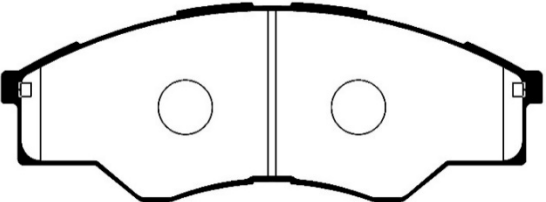
TOYOTA

DISC BRAKE PAD

<p>2378M</p>	<p>FRONT Z-15.0MM</p>	<p>DB2587</p>	<p>2381</p>	<p>FRONT Z-16.5mm</p>	
 <p>PN1871 OE-04465-B2240,B2241 FMSI D2479 X-126.7 ,Y-50.7,Z-15.0mm WVA 26904/5/6 NOT IN SCALE</p>			 <p>04465-K0020 PN1876 X-125.1 ,Y-48.8 , Z-16.5mm WVA26791 NOT IN SCALE</p>		
<p>AVANZA 1500CC-W101-YR2021- RAIZE 1000CC-A200A,210A YR2019- 1000CC-A250L-YR2021- 1200CC-A201A,A251A,A202A-YR2021- VELOZ 1500CC-W101/W151 YR2021-2022- DAIHATSU ROCKY 1000CC-A200S,210S,250S YR2019-2021 1200CC-A201S,A251RS,A202S-YR2021-</p>			<p>YARIS 1000CC-KSP210-YR2020- 1000CC-KSP211-YR2020- 1500CC-MXPA10-YR2020- 1500CC-MXPA15-YR2020- 1500CC-MXPH10-YR2020- 1500CC-MXPH15-YR2020-</p>		
<p>2387M</p>	<p>FRONT Z-17.0mm</p>	<p>DB2380</p>	<p>2390M</p>	<p>FRONT Z-18.0mm</p>	
 <p>GDB8998 WVA 22663 PN1872 04465-0K520,04465-0K590 04465-0K370 X-134.5 ,Y-77.2,Z-17.0mm 04465-0K410 NOT IN SCALE</p>			 <p>WVA 26832,26833,26834 04465-02580 PN1543 X-143.5 ,Y-83.3,Z-18.0mm FMSI D2442 NOT IN SCALE</p>		
<p>FORTUNER 2400cc-GUN155R YR2016- 2400-GUN165L-YR2015- 2700-TGN156L-YR2016- 2700-TGN166L-YR2016- 2700-TGN166R-YR2016- 2800-GUN156R-YR2016- 2800-GUN155L-YR2016-</p>			<p>LANDRUISER 300 3300CC-FJA300 YR2021- 3500cc -VJA300-YR2021- 4000cc-GRJ300-YR2021- TUNDRA 3500-VXKA7# YR2021-22 LEXUS LX500D/LX600 FJA310/VJA310 YR2021-</p>		

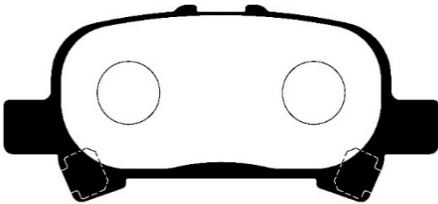
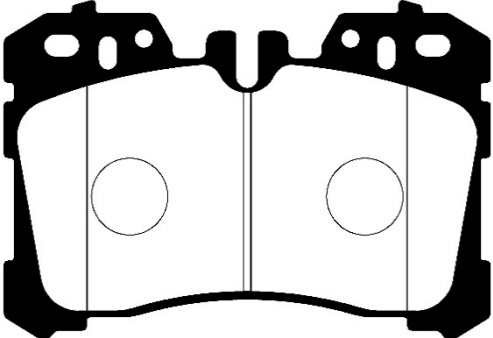
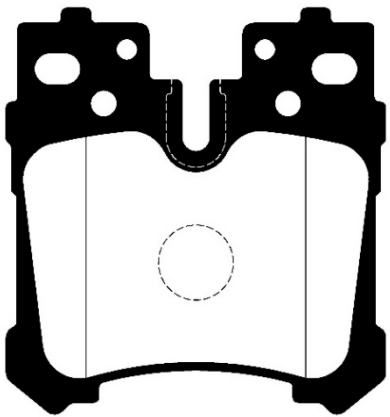
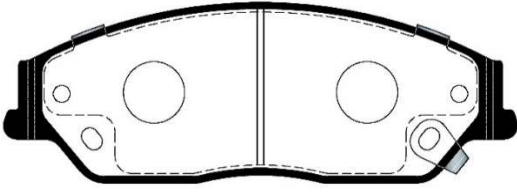
TOYOTA

DISC BRAKE PAD

<p>2393</p>	<p>REAR Z-15.3mm</p>	<p>DB2640</p>	<p>2394M</p>	<p>REAR Z-14.5mm</p>	<p>DB2528</p>
 <p>04466-60190 PN1544 X-142.0 ,Y-47.65,Z-15.3mm NOT IN SCALE</p>			  <p>WVA 26236,26237,26238 04466-02410,04466-02470 PN1864 X-99.25 ,Y-49.4,Z-14.5mm NOT IN SCALE</p>		
<p>LANDCRUISER 300 3300cc-FJA300-YR2021- 3500cc-VJA300 YR2021- 4000cc-GRJ300 YR2021- TUNDRA 3500-VXKA7# YR2021- LEXUS LX500D-3300cc FJA310 YR2021 LX600-3500cc-VJA310 YR2021-</p>			<p>ALTIS LIMO 1.6 YR2019 ON 1600cc-ZRE210L YR2019-</p>		
<p>2397M</p>	<p>FRONT Z-18.0mm</p>	<p>DB2527</p>	<p>2832 2275</p>	<p>FRONT Z-15.5mm</p>	<p>8257 2763</p>
  <p>WVA26150 04465-02470,04465-02471 PN1863 X-134.25 ,Y-58.8,Z-18.0mm WVA26149 NOT IN SCALE</p>			 <p>PN1801 GDB3550,7669 MK2275 04465-OK160 FD2832 04465-OK010 GDB3500 DB 1741 SP1276,WVA 24567 WVA24567 X-140.0 ,Y-52.0 , Z-15.5 FMSI D1710 NOT IN SCALE</p>		
<p>ALTIS LIMO 1.6 YR2019 ON 1800cc-ZRE211L,ZWE211L YR2019 1600cc-ZRE210L-YR2019</p>			<p>HILUX VIGO 2WD KU10/2004- INOVA 2.0 K2395</p>		

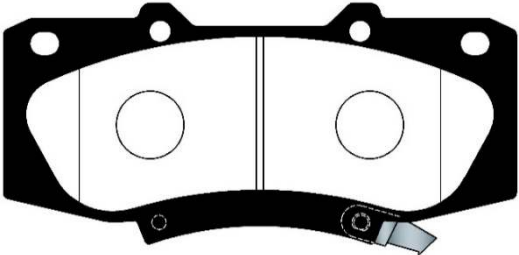
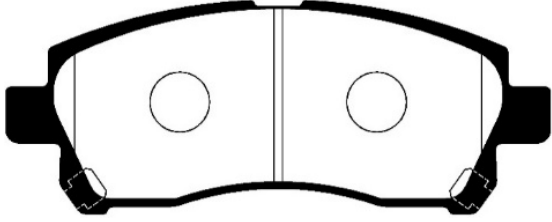
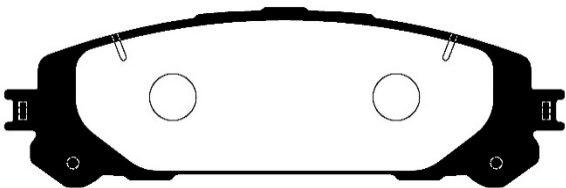
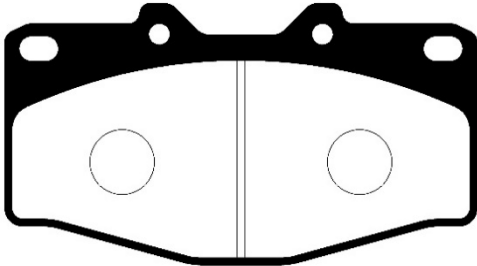
TOYOTA

DISC BRAKE PAD

<p>2836 2302</p>	<p>REAR Z-15.5mm</p>	<p>8116 2734</p>	<p>2869 CD8470</p>	<p>FRONT Z-18.5MM</p>	<p>8545 2778</p>
 <p>PN0427 GDB7200 DB1433 WVA 24835 CD8274M X-99,4 ,Y-43,7 , Z-15.5 FMSI D828 NOT IN SCALE SP1364</p>					
<p>PRONARD MCX20 3000cc YR2003- AVALON YR 2000-2006 CAMRY YR 2002 TO 2004 CAMRY SOLARA (USA) YR2001- SOLARA (USA) YR 02-08</p>			<p>04465-0W010 GDB3473 PN1833 WVA 24245 MK-2347 FMSI D1282 X-133.6 ,Y-88.8, Z-18.5mm SP1496 NOT IN SCALE</p>		
<p>LEXUS LS460 4600-DBA-USF40,41 YR 06-09 5000-DAA-UVF-45,46 YR 09-</p>					
<p>2870 CD8549</p>	<p>REAR Z-18.5mm</p>	<p>8546 2785</p>	<p>2890M</p>	<p>FRONT Z-18,0MM</p>	<p>8397 2511</p>
 <p>PN1844 GDB 3475,7797 04466-0W010 WVA 24244 MK-2348 04466-0W020 X-75.3,Y-76.3,Z-18.5mm FMSI D1283 NOT IN SCALE SP2301</p>			 <p>DB2243 KL719 X-151.6 ,Y-52,8 , Z-18.0 NOT IN SCALE</p>		
<p>LEXUS LS460 4600-DBA-USF40,41 YR 06-09 5000-DAA-UVF-45,46 YR 09-</p>			<p>CAMRY (AUS) TAXI YR2006- CAMRY HYBIRD YR2010</p>		

TOYOTA

DISC BRAKE PAD

<p>2893 2310</p>	<p>FRONT Z-17.0mm</p>	<p>8536 2389</p>	<p>0044</p>	<p>FRONT Z-14.0mm</p>	<p>8276 2786</p>
 <p>SP1484 DB2221 GDB 3528,3534 GDB3528 OE-04465-0K240 WVA25209 WVA 25209,25210 FMSI D1567 X-143.5,Y-67.5,Z-17.0 WVA 25210 NOT IN SCALE</p>			 <p>PN1832 SP1589 DB1460 WVA25060 FMSI D1471 GDB7656 X-126.8 ,Y-49.1 , Z-14.0mm DB1460 NOT IN SCALE</p>		
<p>HILUX VIGO 4X4 3.0 KUN 26 2010-</p>			<p>K2395</p>	<p>AVANZA 1.3,1.5</p> <p>K2367 S997</p>	
<p>FD2304</p>	<p>FRONT Z-17.5mm</p>		<p>2982 BS0115</p>	<p>FRONT Z-15.0mm</p>	
 <p>PN1864 X-167.0 ,Y-60.4 , Z-17.5mm FMSI D2304 NOT IN SCALE</p>			 <p>MK-D2167 GDB 7069,7068 WVA 21784</p>		
<p>CROWN KLUGER 2000cc-SXUA75-YR2022 2500cc-AXUH71-YR2021- HIGHLANDER 2500CC-AXUH70L-YR2020- LEXUS-NX450H+-2500CC-YR 2021-</p>			<p>FARM TRUCK</p>		